



REVOLUTION™ II

3 BURNER



**FLARE FREE
TECHNOLOGY™**

ASSEMBLY MANUAL

085-0253-6 (G57101)

LIMITED 5-YEAR WARRANTY

Read and save manual for future reference.

Assemble your barbecue immediately. Missing or damaged parts should be claimed within 30 days of purchase.

For product inquiries, parts, warranty and troubleshooting support, please call 1-800-275-4617.



ANSI Z21.68-2018 / CSA 1.6-2018
Outdoor Cooking Gas Appliances



ANSI Z21.58-2018 / CSA 1.6-2018
Outdoor Cooking Gas Appliances

Master No. 211648

www.colemanbbqs.com

Manual Revision #: 2025.03.04 JC



**HEAVY ARTICLE NEEDS 2 TO LIFT
THIS MANUAL MUST REMAIN WITH THE PRODUCT AT ALL TIMES**

To ORDER non-warranty replacement parts or accessories,
or to register your warranty, please visit us on the web at
www.colemanbbqs.com

⚠ CAUTION

Sharp edges. Wear gloves when assembling your barbecue.

⚠ CAUTION

Read and follow all safety statements, assembly instructions, use and care directions before attempting to assemble and cook.

⚠ INSTALLER OR ASSEMBLER / CONSUMER

This manual should be kept with the barbecue at all times.

⚠ WARNING

Failure to follow all of the manufacturer's instructions could result in hazardous fires, explosions, property damage, or serious personal injury or even death.

Follow all leak check procedures carefully prior to operation of barbecue, even if barbecue was dealer assembled. Do not try to light this barbecue without reading the Lighting Instructions section of this manual.

⚠ DANGER

- 1. If you smell gas:**
 - a. Shut off gas to the appliance**
 - b. Extinguish any open flame**
 - c. Open lid**
 - d. If odour continues, keep away from the appliance and immediately call your gas supplier or your fire department**
- 2. Requires two people to complete the assembly process.**
- 3. Beware of sharp edges.**

⚠ WARNING

- 1. Do not store or use gasoline or other flammable liquids or vapours in the vicinity of this or any other appliance.**
- 2. An LP cylinder not connected for use shall not be stored in the vicinity of this or any other appliance.**

⚠ WARNING

IN DIRECT SUN, AND IN OPERATION, YOUR BARBECUE'S STAINLESS STEEL AND PAINTED STEEL PARTS CAN BECOME VERY HOT.

**THIS BARBECUE IS FOR OUTDOOR USE ONLY
CONTACT CALL CENTRE IF ANY PARTS ARE MISSING
1-800-275-4617**

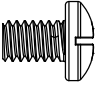
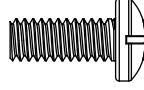
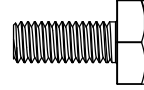
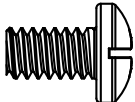
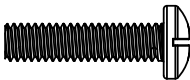
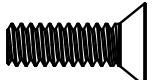
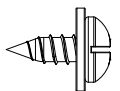




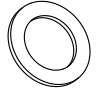

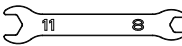
HARDWARE PACK

TOOLS NEEDED FOR ASSEMBLY

- #2 Phillips screwdriver (long and short)
- 1/4" Slotted screwdriver (long and short)
- Pliers

| No. | Description | Part Number | Qty. |
|-----|------------------------------|------------------|------|
| 1 | 1/4"-20UNC x 10 Screw | 20120-13010-250 | 1 |
| 2 | 1/4-20UNC x 16 Screw | 20120-13016-250 | 27 |
| 3 | 1/4-20UNC x 16 Hexagon Screw | G571-0030-9000 | 4 |
| 4 | NO.10-24UNC x 13 Screw | 20124-10013-250 | 20 |
| 5 | NO.8-32UNC x 18 Screw | 20132-08018-250 | 2 |
| 6 | NO.8-32UNC x 10 Screw | 20332-08010-250 | 3 |
| 7 | ST4.2 x 10 Tapping Screw | 22500-42010-137B | 10 |
| 8 | φ7 Rubberized Washer | G501-0054-9100 | 6 |
| 9 | NO.8 - 32UNC Nut | 30232-08000-250 | 2 |
| 10 | Wing Nut | 33301-04000-032 | 1 |
| 11 | φ7 Lock Washer | 41400-07000-250 | 1 |
| 12 | Wheel Washer | G367-0005-9000 | 3 |
| 13 | AA Battery | G610-0028-9100 | 1 |
| 14 | Wrench | G571-0028-9099 | 1 |

⚠ Caution:
Sheet metal can cause injury. Wear gloves when installing the barbecue.

| | | | | | |
|-----------|---|-----------|---|-----------|---|
| 1 |  | 2 |  | 3 |  |
| | 1/4"-20UNC x 10 Screw X 1 | | 1/4-20UNC x 16 Screw X 27 | | 1/4-20UNC x 16 Hexagon Screw X 4 |
| 4 |  | 5 |  | 6 |  |
| | NO.10-24UNC x 13 Screw X 20 | | NO.8-32UNC x 18 Screw X 2 | | NO.8-32UNC x 10 Screw X 3 |
| 7 |  | 8 |  | 9 |  |
| | ST4.2 x 10 Tapping Screw X 10 | | φ7 Rubberized Washer X 6 | | NO.8 - 32UNC Nut X 2 |
| 10 |  | 11 |  | 12 |  |
| | Wing Nut X 1 | | φ7 Lock Washer X 1 | | Wheel Washer X 3 |
| 13 |  | 14 |  | | |
| | AA Battery X 1 | | Wrench X 1 | | |

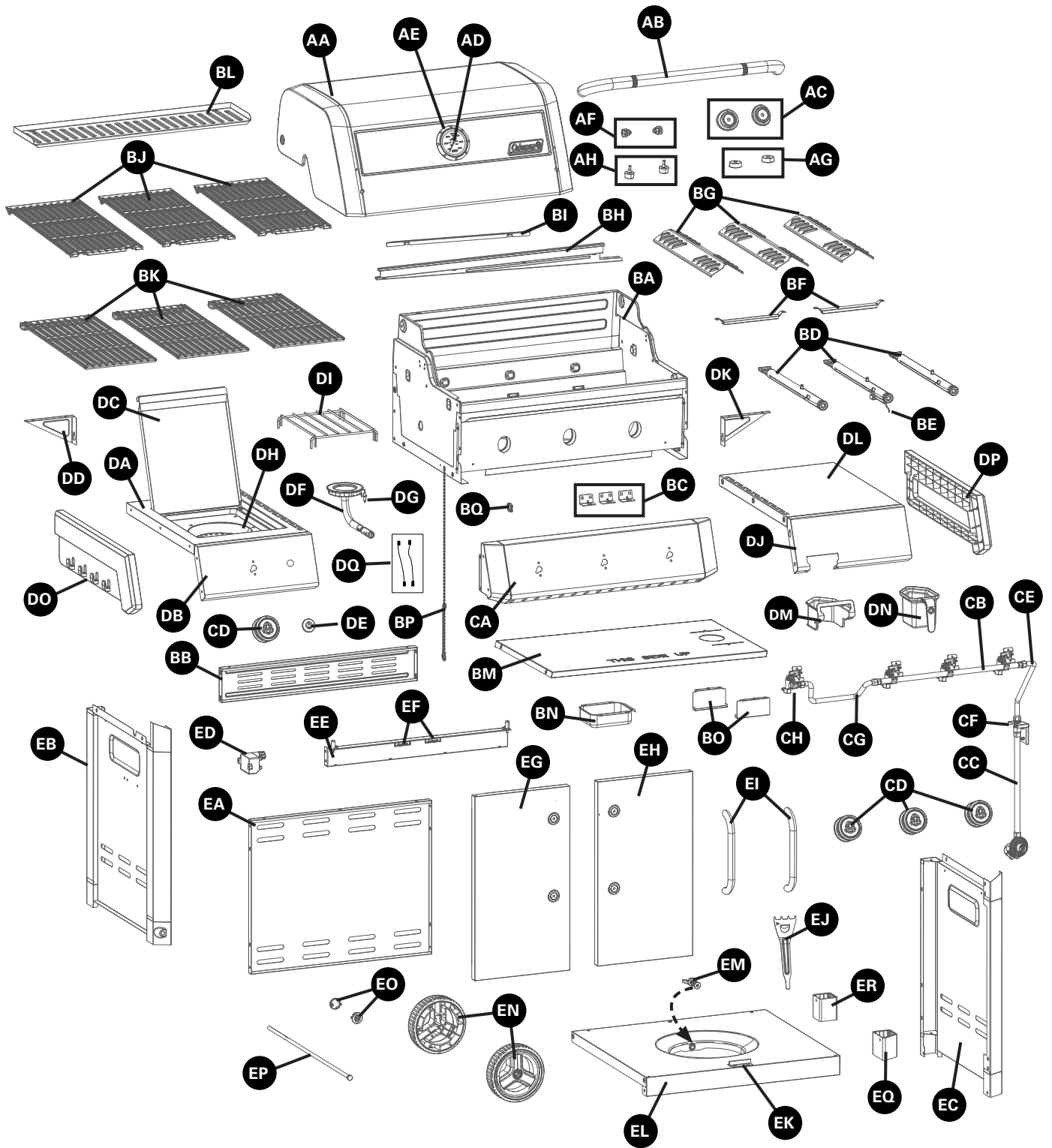
BEFORE ASSEMBLING THIS BARBECUE, READ THE INSTRUCTIONS CAREFULLY.

Assemble the barbecue on a flat, clean surface. Grill is heavy. Two people are recommended to assemble this barbecue.

PARTS LIST FOR 085-0253-6 (G57101)

| Item No. | Qty. | Description | Part No. | Item No. | Qty. | Description | Part No. |
|----------|------|----------------------------|---------------|----------|------|---------------------------------|--------------|
| AA | 1 | Top Lid Assembly | G571-3000-01 | DA | 1 | Side Stove Table, Left | G571-0800-01 |
| AB | 1 | Lid Handle | G571-0029-01 | DB | 1 | Side Shelf Fascia, Left | G571-0019-01 |
| AC | 2 | Lid Handle Bezel | G571-0016-01 | DC | 1 | Side Stove Lid | G571-0034-01 |
| AD | 1 | Thermometer | G363-0009-01 | DD | 1 | Side Shelf Support Brace, Left | G425-5301-02 |
| AE | 1 | Thermometer Bezel | G532-0006-01 | DE | 1 | Instastart™ Ignition Button | G532-0082-01 |
| AF | 2 | Top Lid Screw | G470-5004-01 | DF | 1 | Side Stove | G532-5200-01 |
| AG | 2 | Lid Bumper, Front | G527-0002-01A | DG | 1 | Electrode Set, Side Burner | G515-0039-02 |
| AH | 2 | Lid Bumper, Rear | G303-0038-01 | DH | 1 | Side Stove Drip Pan | G515-0083-02 |
| BA | 1 | Burner Box Assssembly | G571-2600-01 | DI | 1 | Side Stove Cooking Grate | G501-0077-01 |
| BB | 1 | Upper Back Panel | G571-0009-01 | DJ | 1 | Side Shelf Fascia, Right | G571-0022-01 |
| BC | 3 | Main Burner Brace | G466-0047-01 | DK | 1 | Side Shelf Support Brace, Right | G425-5201-02 |
| BD | 3 | Main Burner | G532-3500-01 | DL | 1 | Side Shelf Table, Right | G571-0021-01 |
| BE | 1 | Electrode Set, Main Burner | G515-0067-01 | DM | 1 | Grease Cup Holder - Flare-Free | G571-0024-01 |
| BF | 2 | Carryover Assembly | G354-0024-01 | DN | 1 | Grease Cup - Flare-Free | G571-0024-01 |
| BG | 3 | Heat Distribution Plate | G532-0016-01 | DO | 1 | Tool Hook Holder | G571-0020-01 |
| BH | 1 | Grease Channel | G532-0015-01 | DP | 1 | Towel Holder | G571-0023-01 |
| BI | 1 | Grease Channel Shield | G532-0063-01 | DQ | 2 | Ignition Wire | G110-0022-01 |
| BJ | 3 | Upper Cooking Grate | G532-0081-01 | EA | 1 | Lower Back Panel | G571-0007-01 |
| BK | 3 | Lower Cooking Grate | G532-0080-01 | EB | 1 | Cart Side Panel, Left | G571-0200-01 |
| BL | 1 | Warming Rack | G532-0018-01 | EC | 1 | Cart Side Panel, Right | G571-0300-01 |
| BM | 1 | Heat Shield | G571-0008-01 | ED | 1 | Electronic Ignition Assembly | G532-0019-01 |
| BN | 1 | Grease Cup, Burner Box | G571-0032-01 | EE | 1 | Door Support Rail | G571-2400-01 |
| BO | 2 | Grease Cup Rails | G571-0031-01 | EF | 2 | Door Magnet Assembly | G527-0037-01 |
| BP | 1 | Match Holder | G501-0068-01 | EG | 1 | Door Assembly, Left | G571-3300-01 |
| BQ | 1 | Wire Holder | F801-0023-01 | EH | 1 | Door Assembly, Right | G571-3400-01 |
| CA | 1 | Control Panel | G571-0010-01 | EI | 2 | Door Handle | G517-0011-01 |
| CB | 1 | Manifold Assembly | G571-2800-01 | EJ | 1 | Cleaning tool | G532-0083-01 |
| CC | 1 | Regulator | G513-0017-01 | EK | 1 | Door Brace | G545-0001-01 |
| CD | 4 | Control Knob | G571-2900-01 | EL | 1 | Bottom Panel | G571-0100-01 |
| CE | 1 | Metal Hose | G432-1102-01 | EM | 1 | Tank Screw | G505-0047-01 |
| CF | 1 | Support Bracket, Regulator | G466-00C3-01 | EN | 2 | Wheel | G571-2100-01 |
| CG | 1 | Side Stove Metal Hose | G304-0028-01 | EO | 2 | Wheel Cap | G571-0004-01 |
| CH | 1 | Side Stove Valve | G571-0014-01 | EP | 1 | Wheel Axle | G571-0005-01 |
| | | | | EQ | 1 | Feet, Front | G571-0001-01 |
| | | | | ER | 1 | Feet, Rear | G571-0002-01 |
| | | | | F1 | 1 | Hardware Pack | G571-B001-01 |
| | | | | F2 | 1 | Assembly Manual | G571-M001-01 |
| | | | | F3 | 1 | Safe Use and Care Manual | G378-M001-02 |

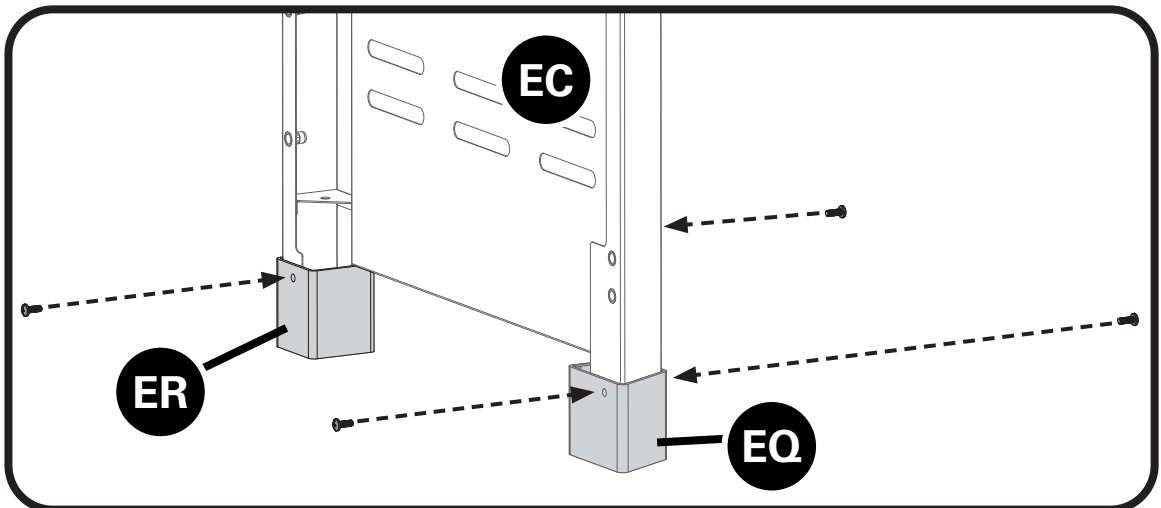
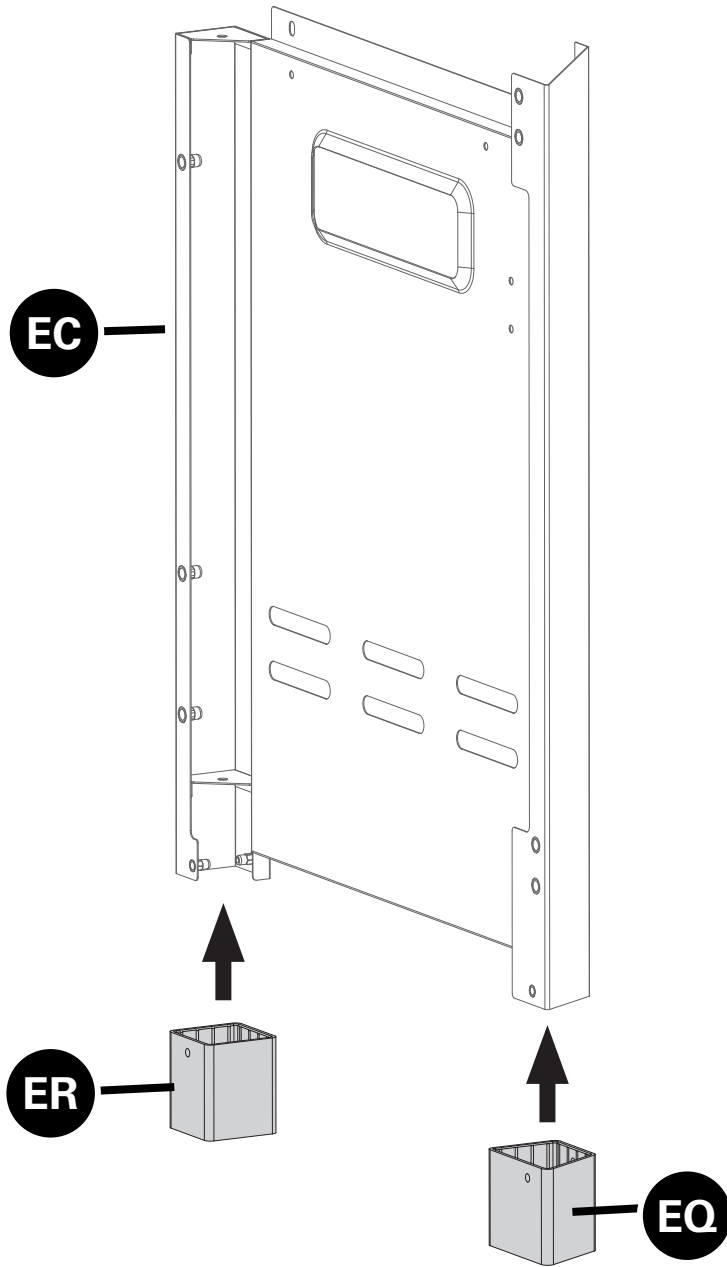
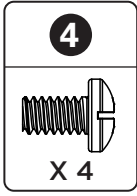
EXPLODED DIAGRAM FOR 085-0253-6 (G57101)



| Extras | | |
|---------------------|-----------------------|------------------------------|
| Hardware Pack F1 | Assembly Manual F2 | Safe Use & Care Manual F3 |

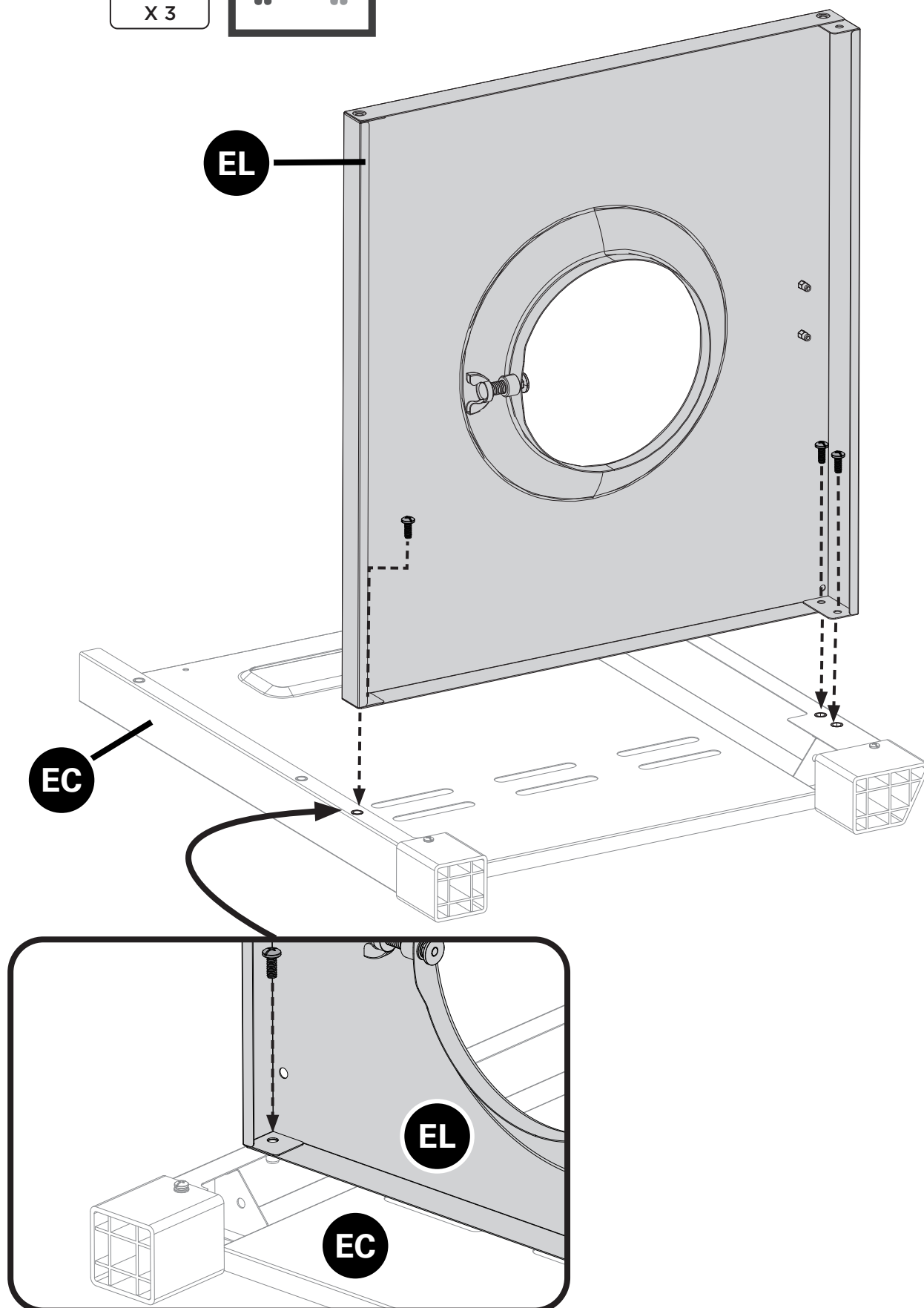
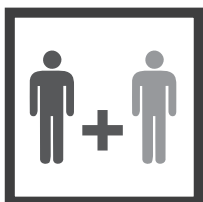
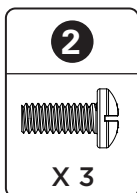
ASSEMBLY INSTRUCTIONS

1



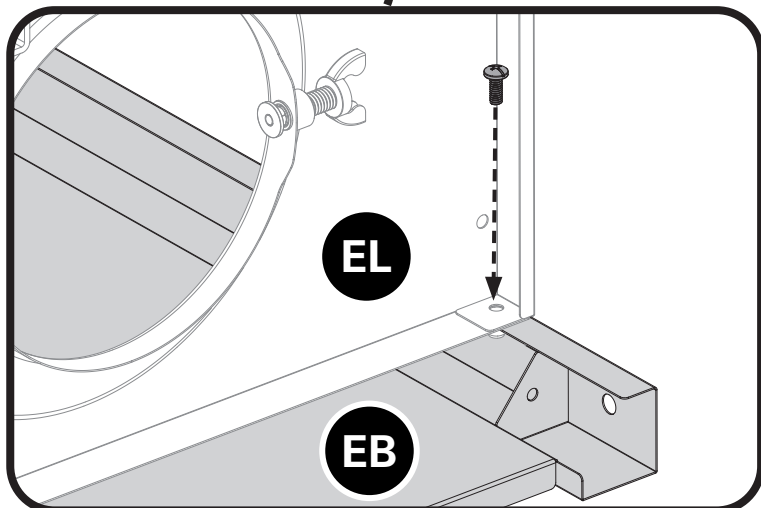
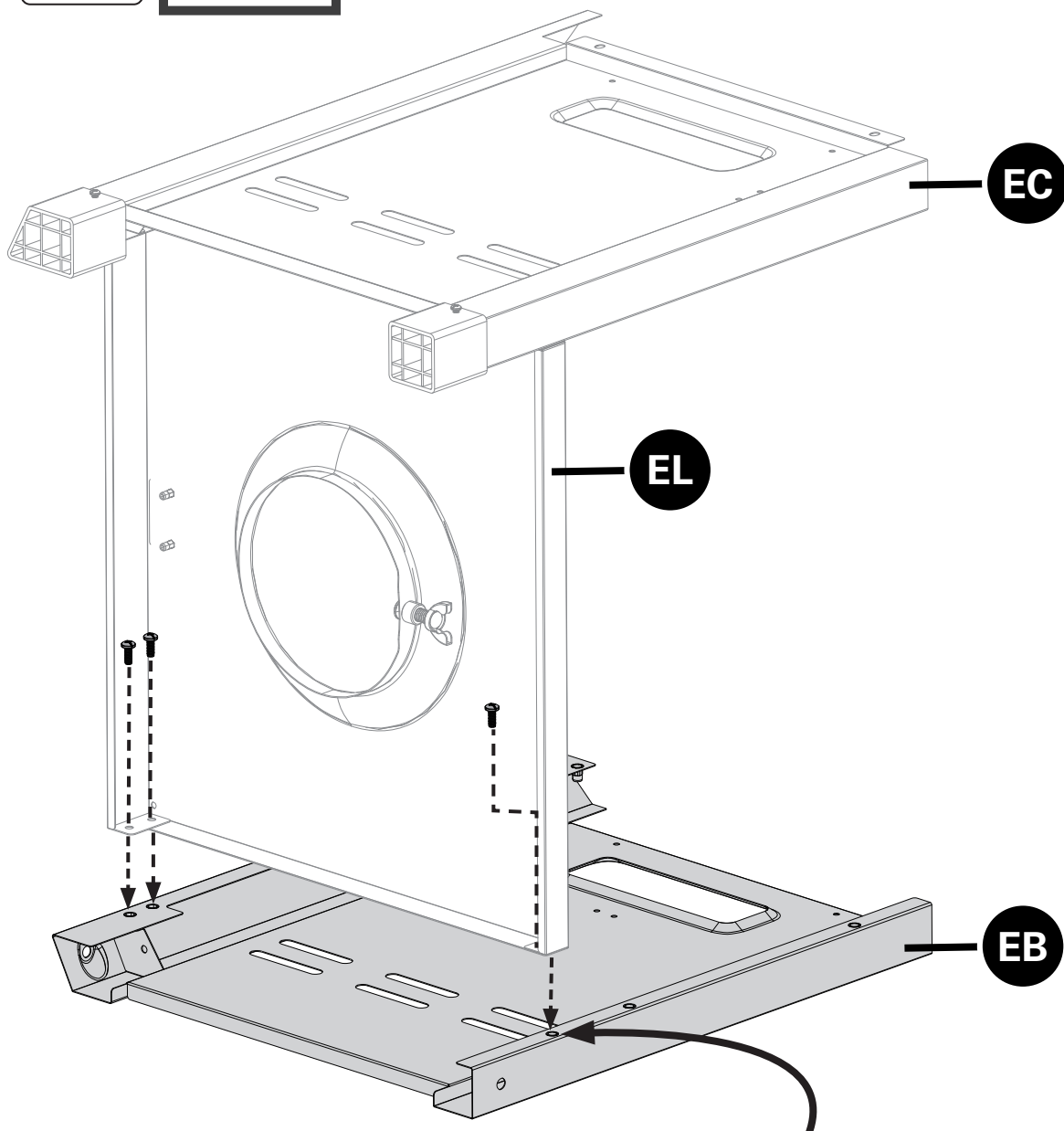
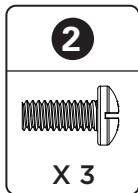
ASSEMBLY INSTRUCTIONS

2



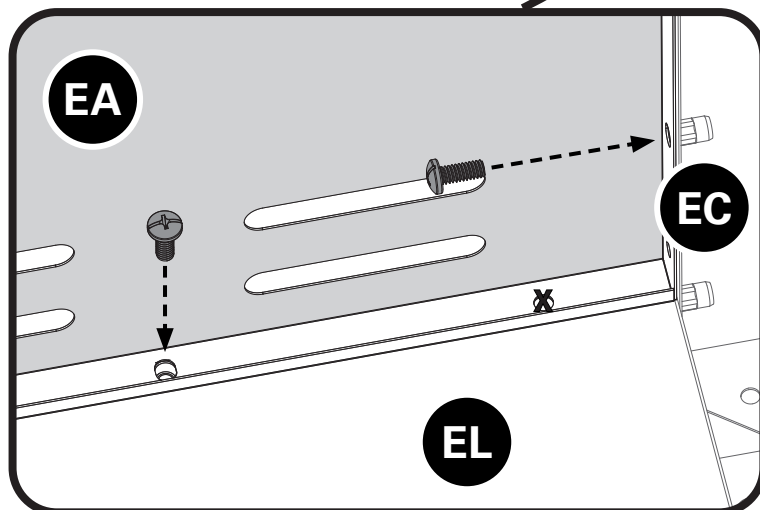
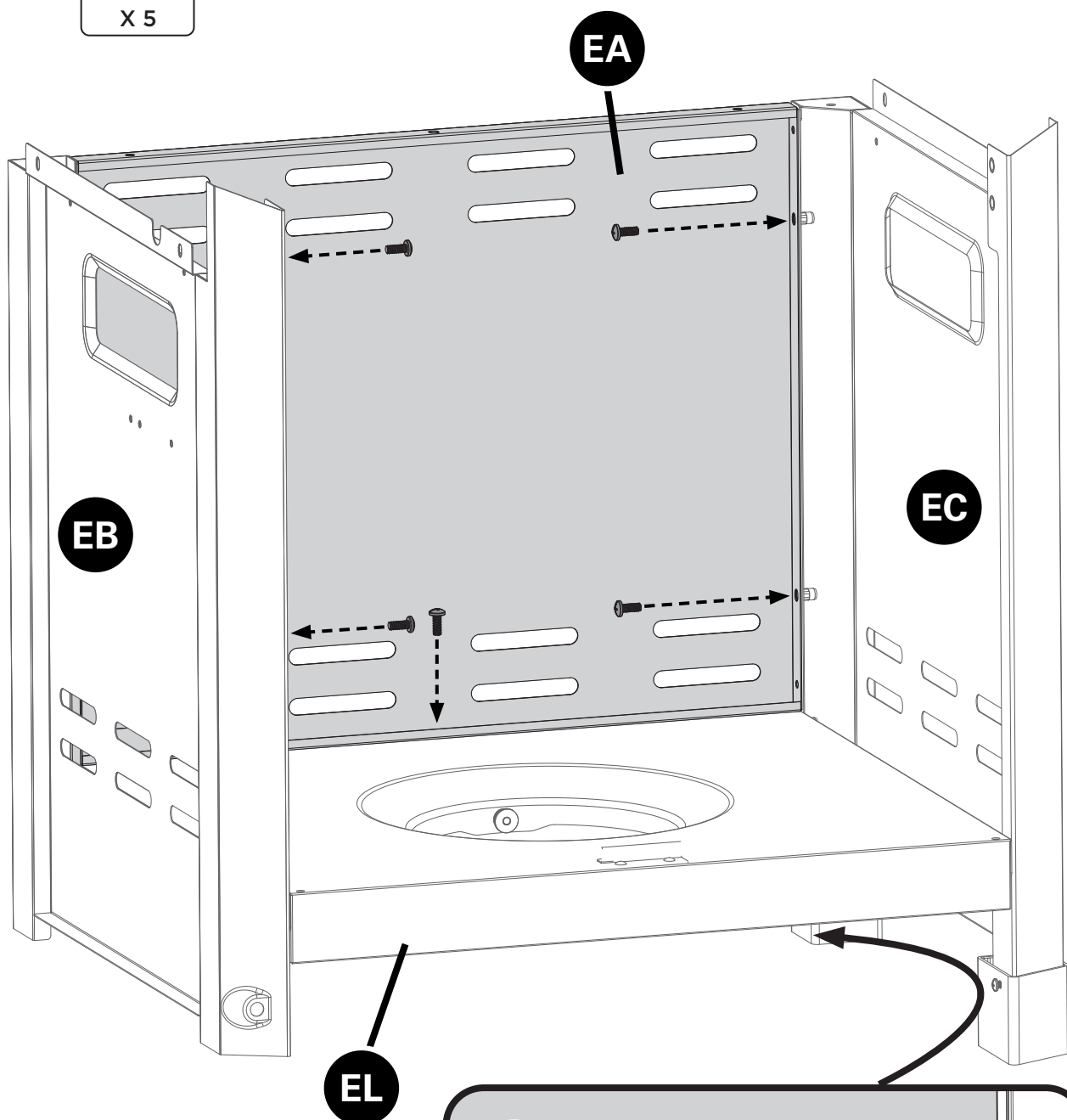
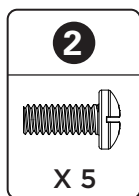
ASSEMBLY INSTRUCTIONS

3



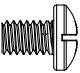


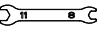
ASSEMBLY INSTRUCTIONS

4

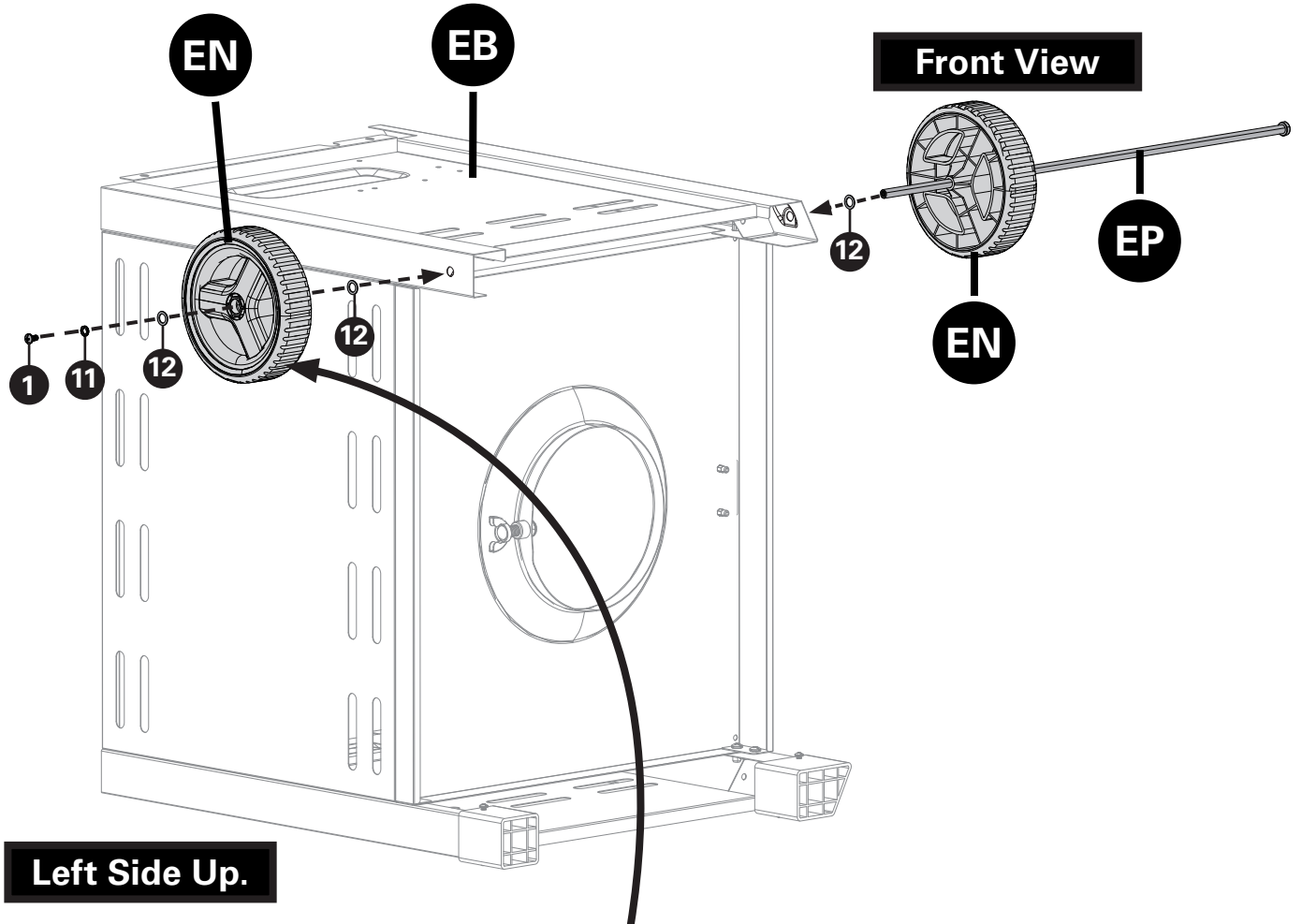


ASSEMBLY INSTRUCTIONS

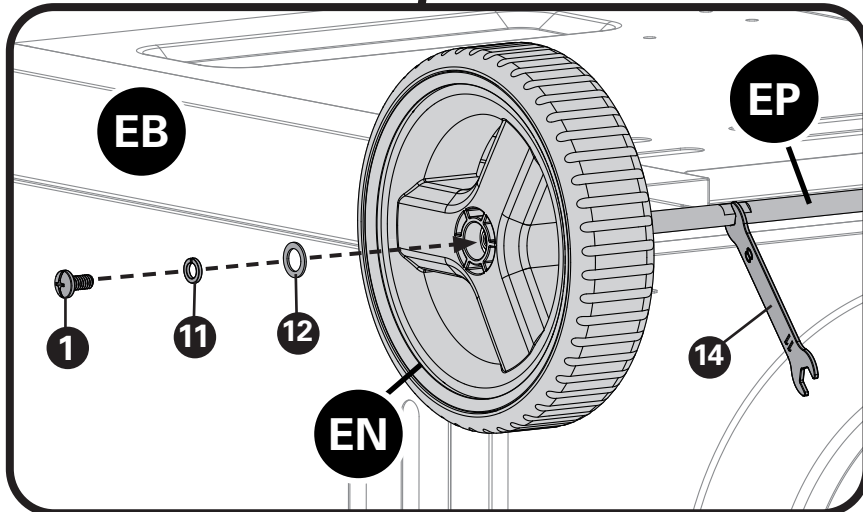
5

| | | | |
|--|---|---|---|
| 1  X 1 | 11  X 1 | 12  X 3 | 14  X 1 |
|--|---|---|---|

A.



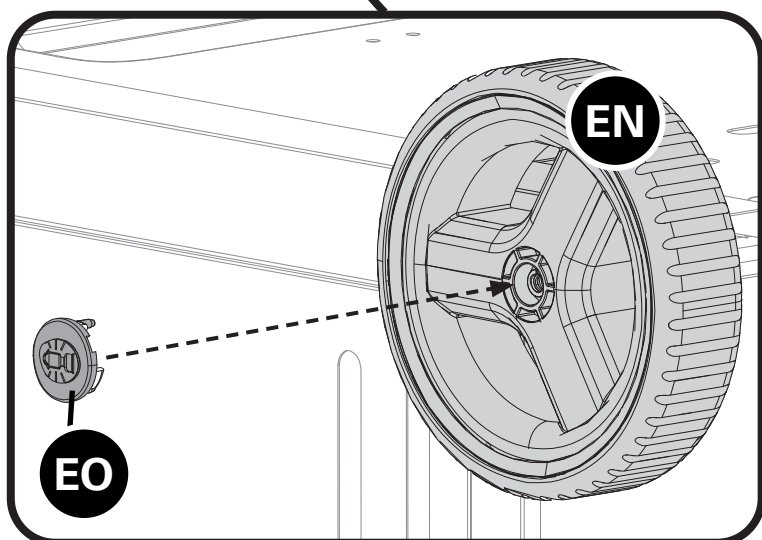
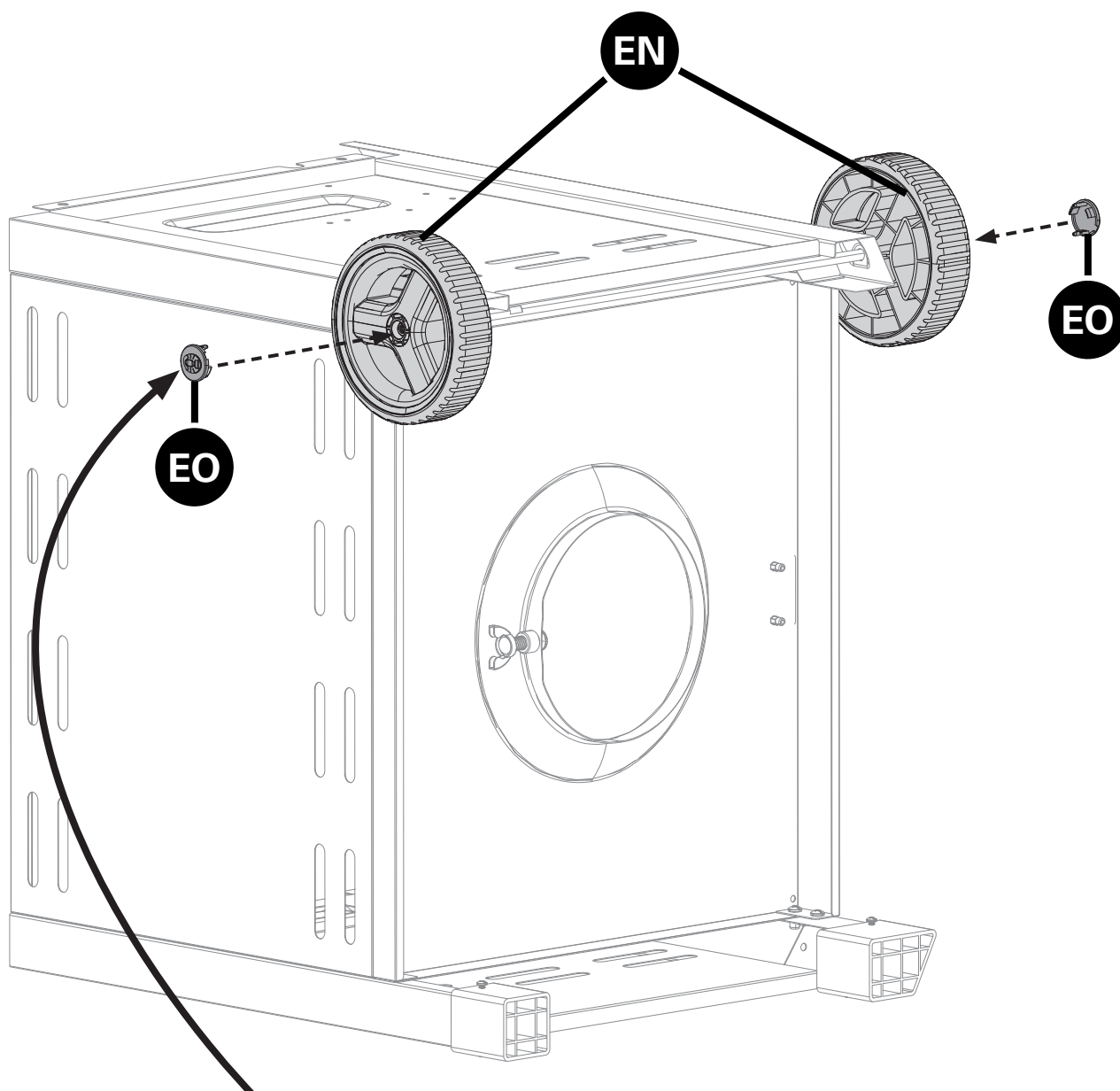
Left Side Up.



ASSEMBLY INSTRUCTIONS

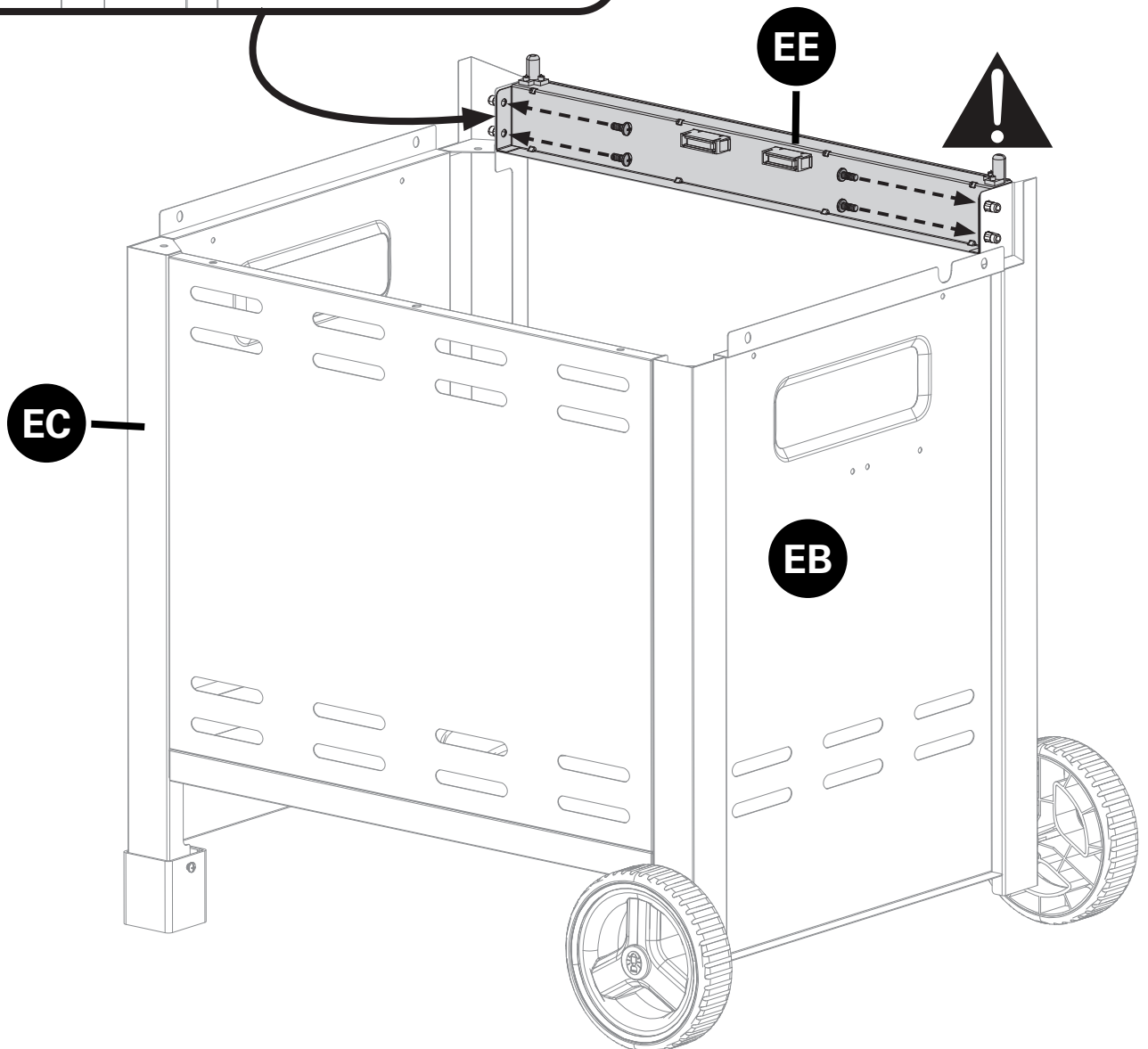
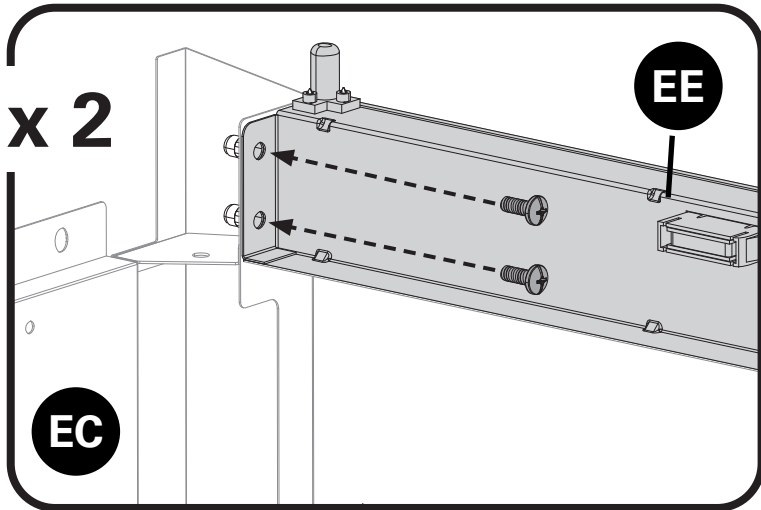
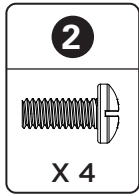
5

B.



ASSEMBLY INSTRUCTIONS

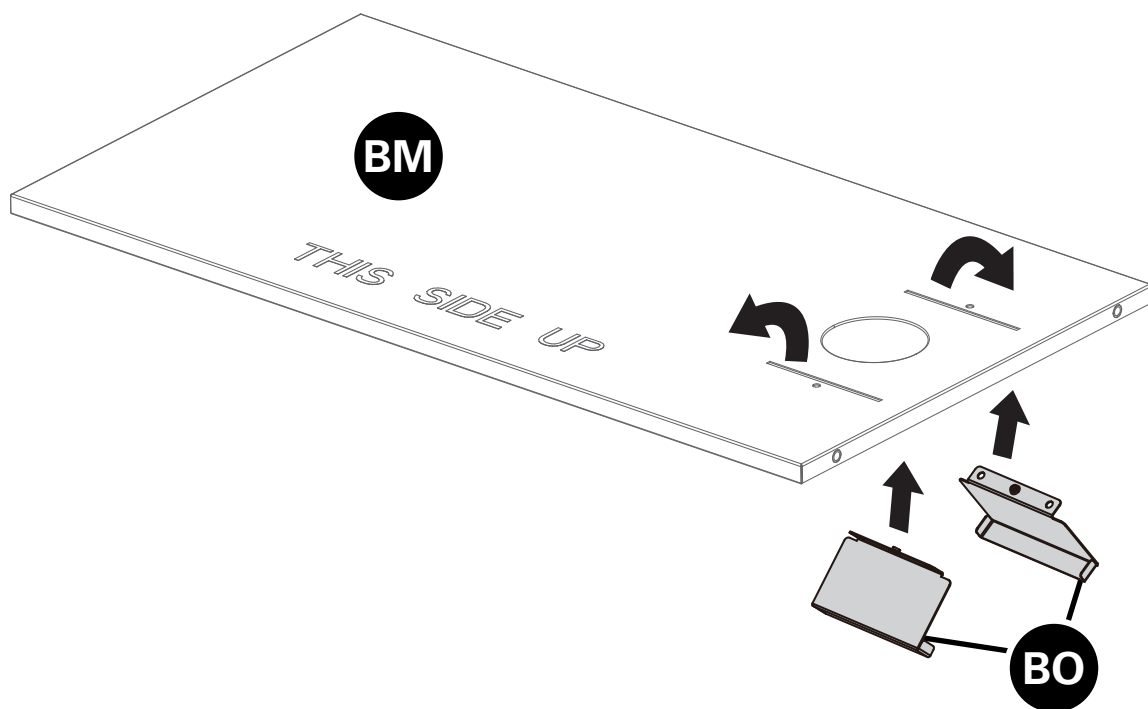
6



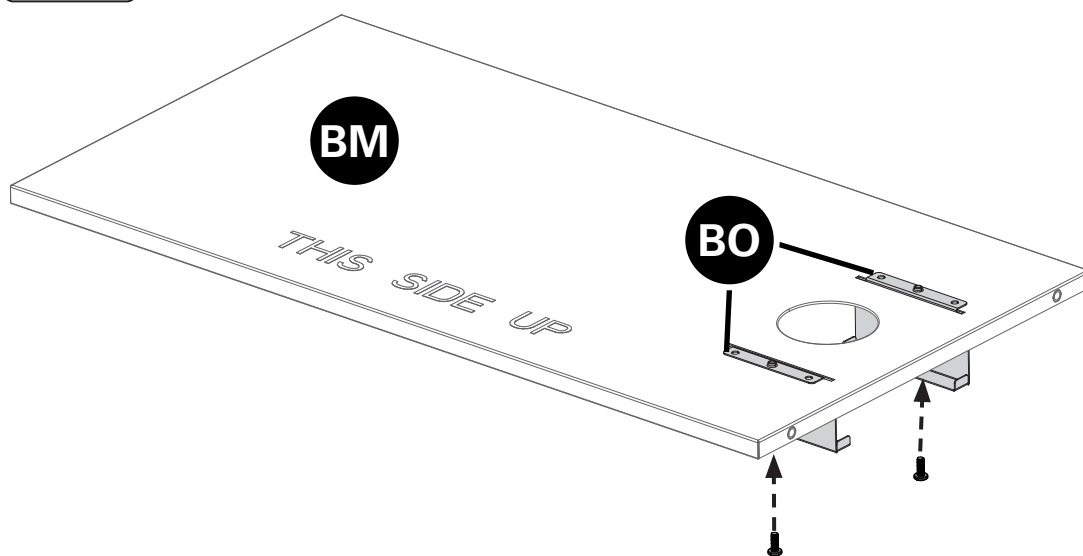
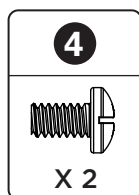
ASSEMBLY INSTRUCTIONS

7

A.

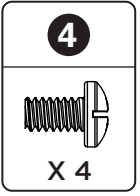


B.

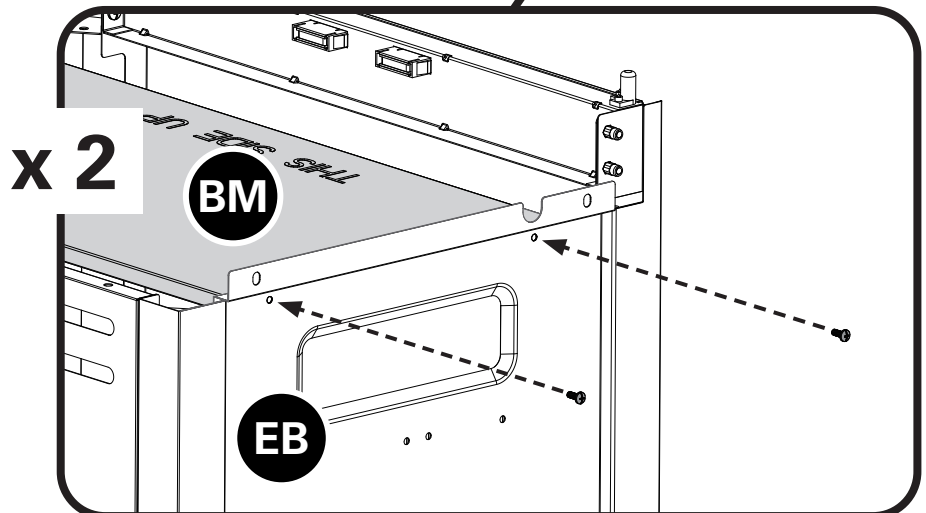
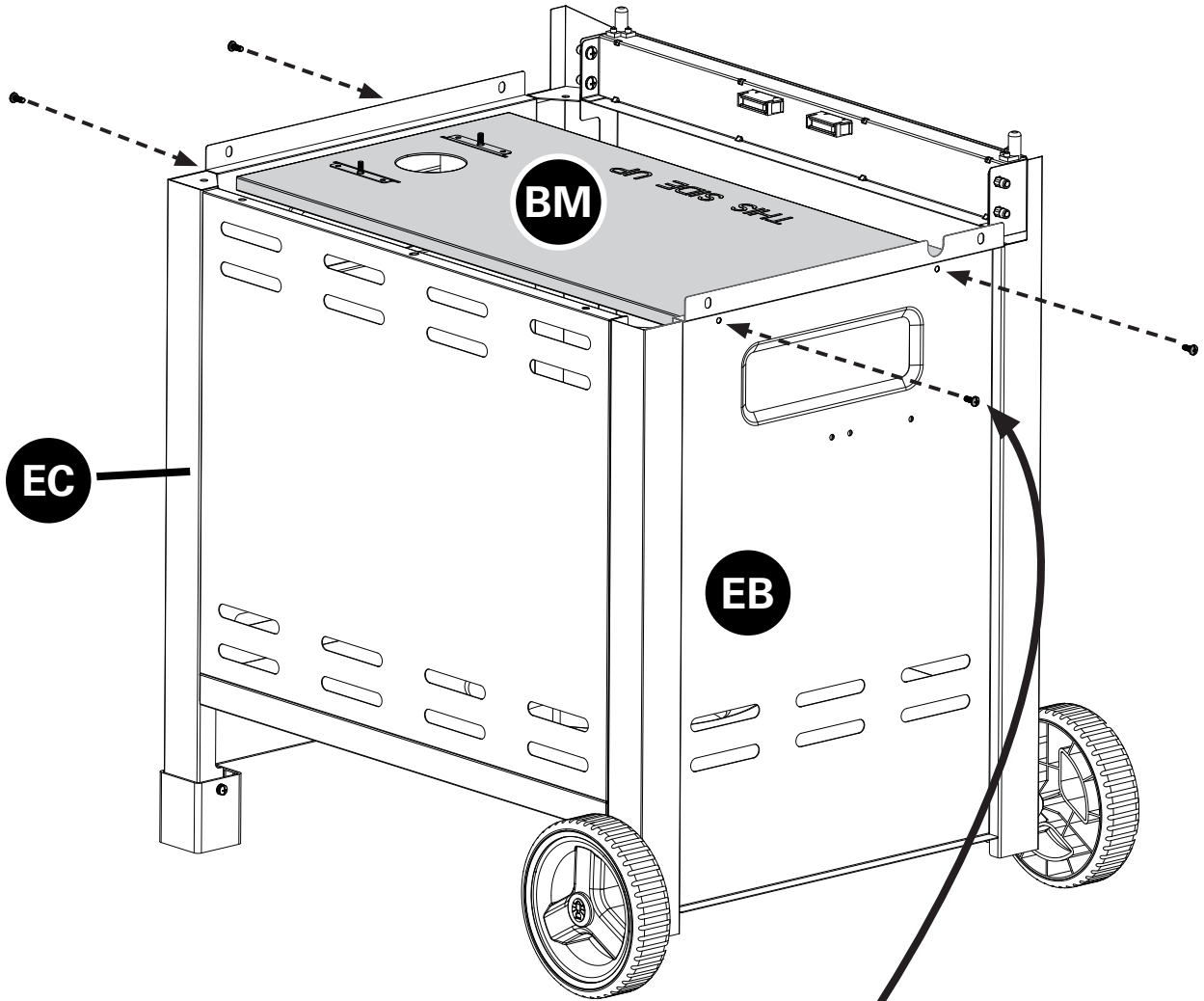


ASSEMBLY INSTRUCTIONS

7

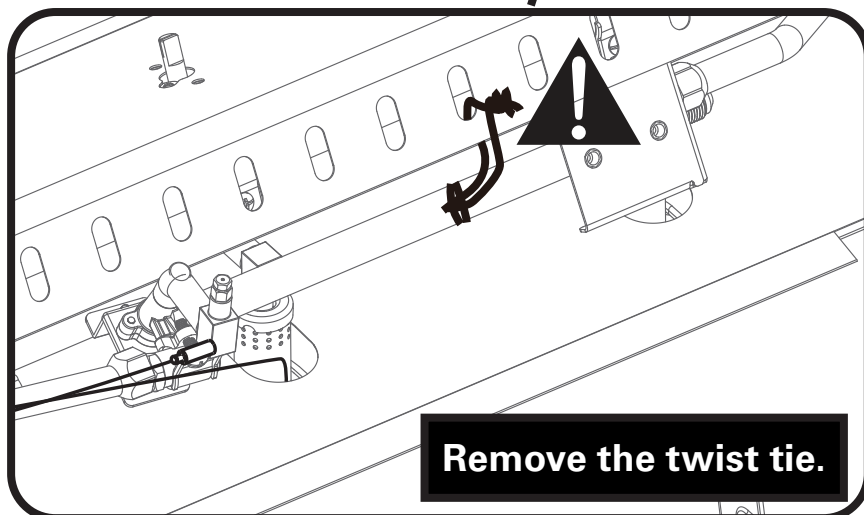
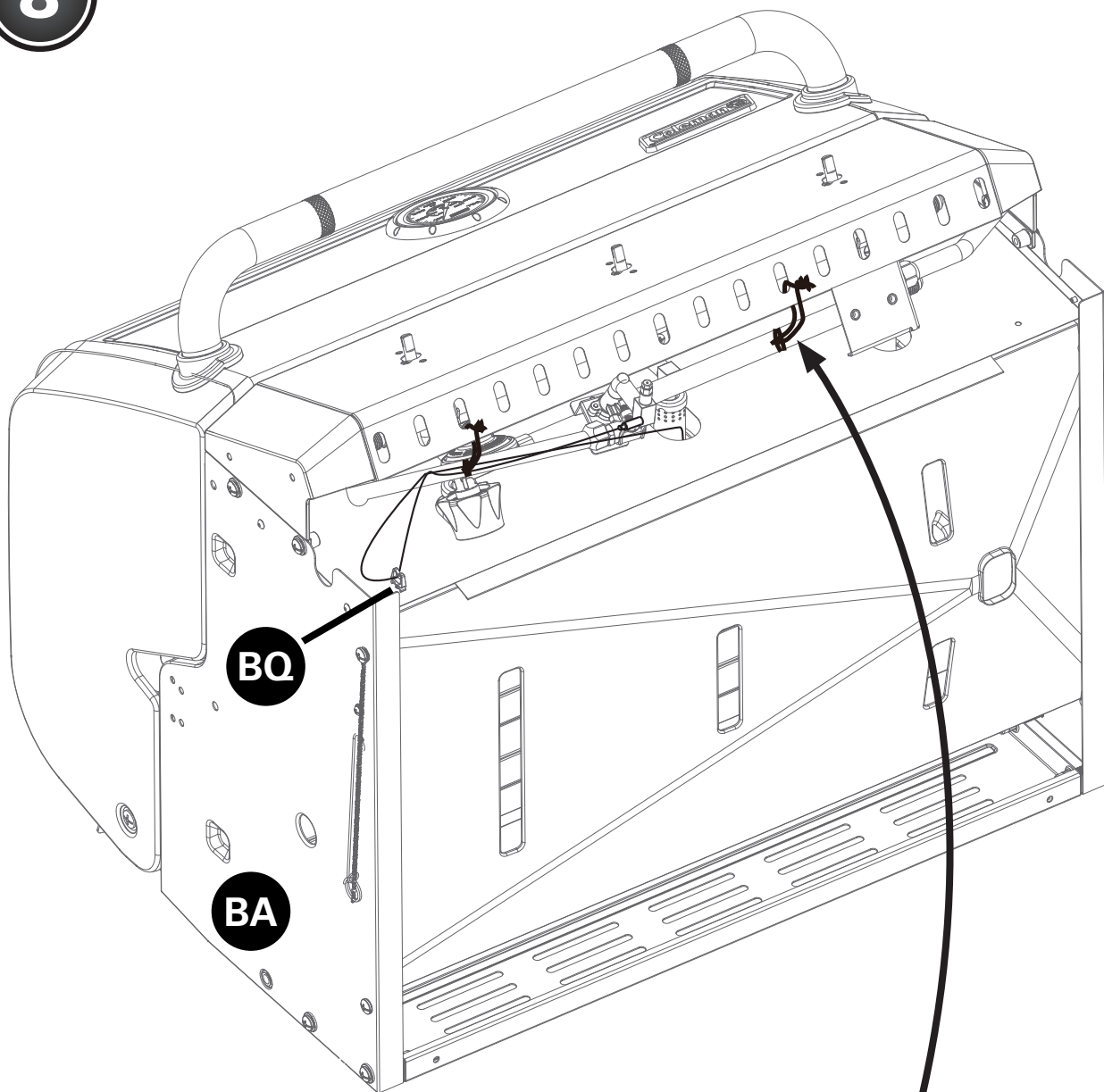


C.



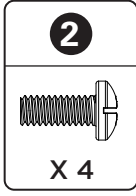
ASSEMBLY INSTRUCTIONS

8

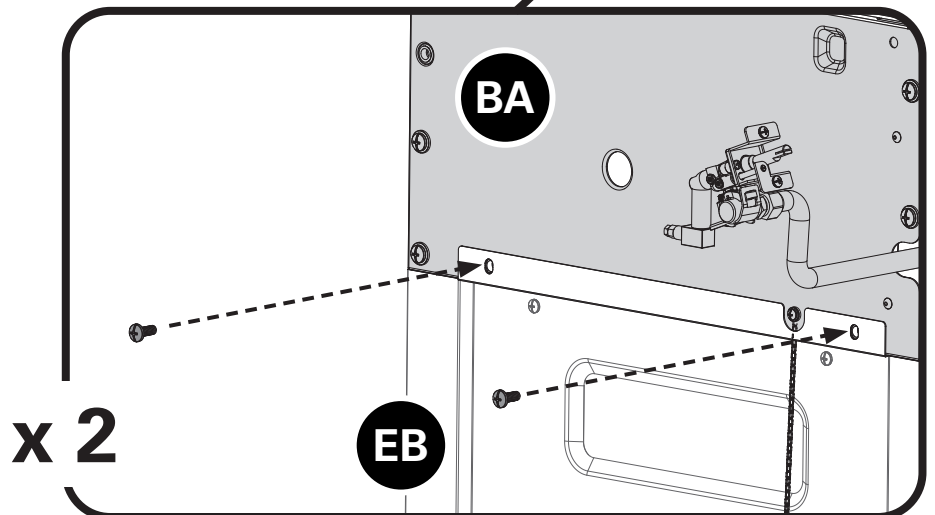
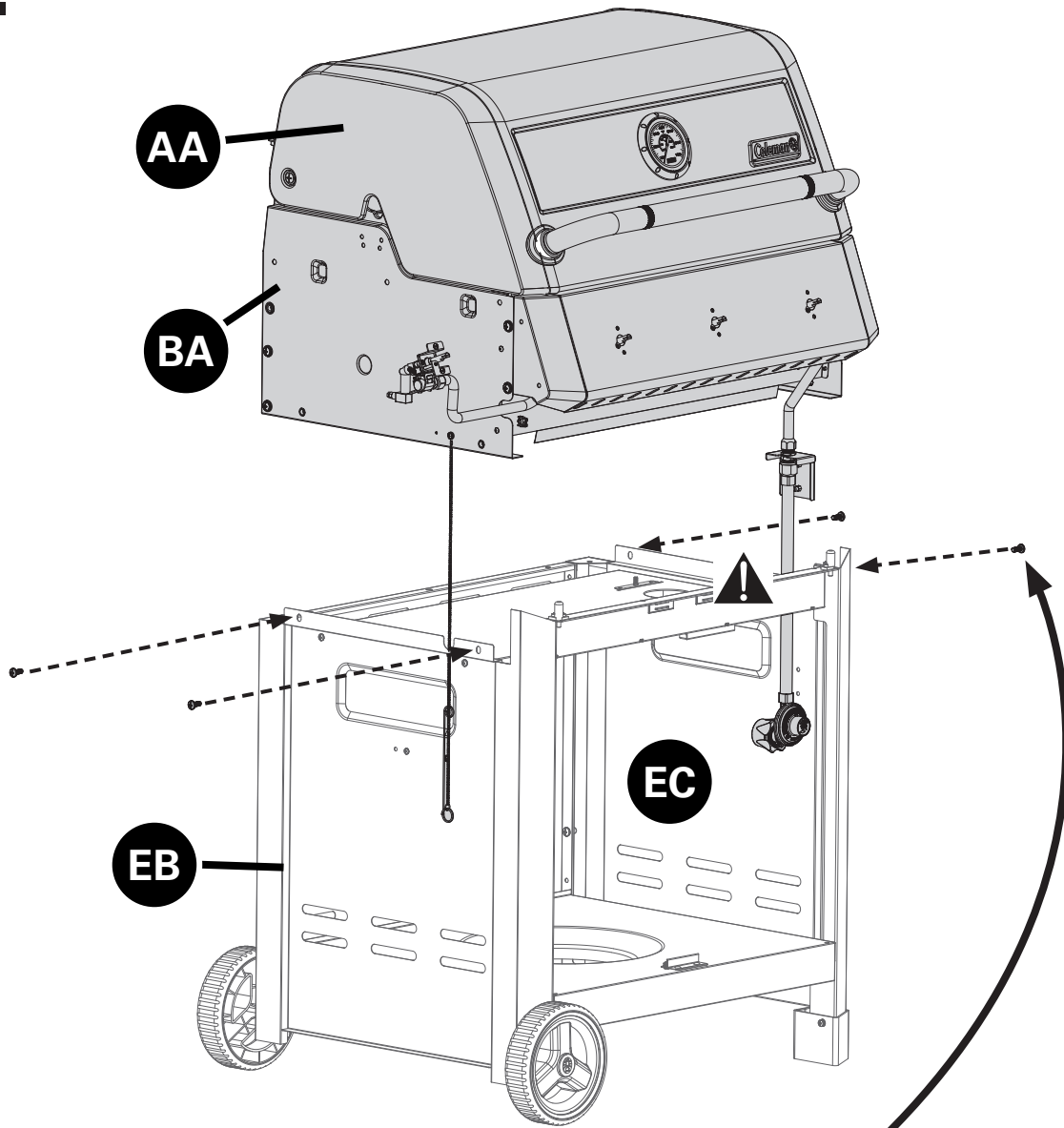


ASSEMBLY INSTRUCTIONS

9

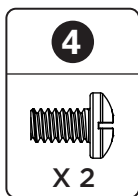


A.

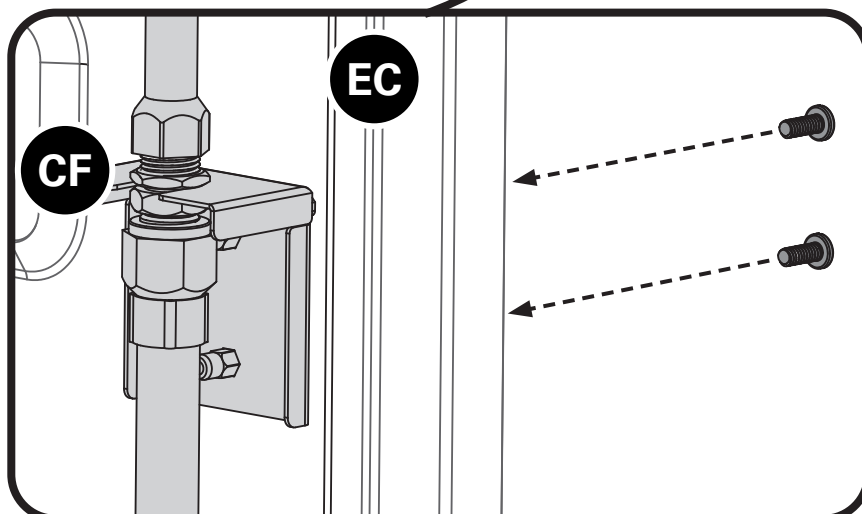
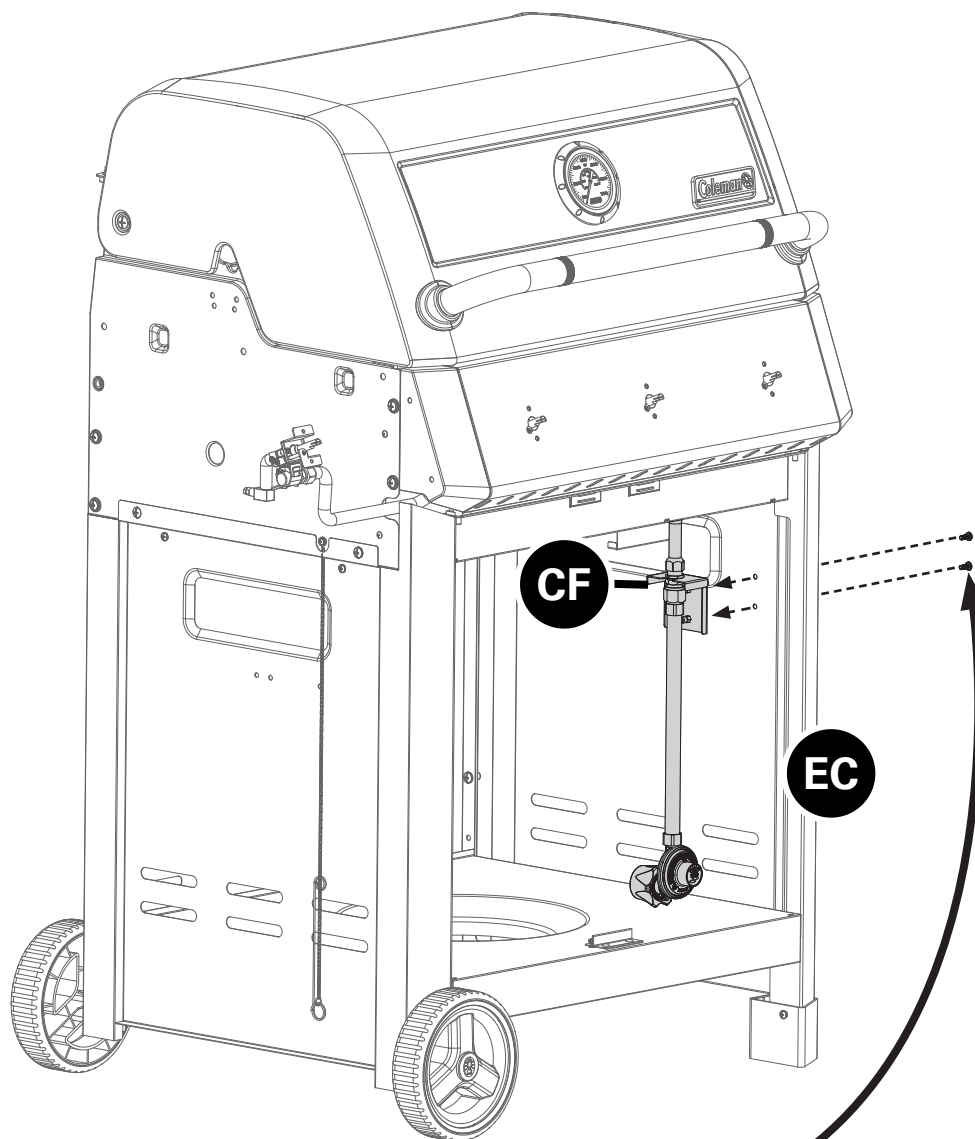


ASSEMBLY INSTRUCTIONS

9

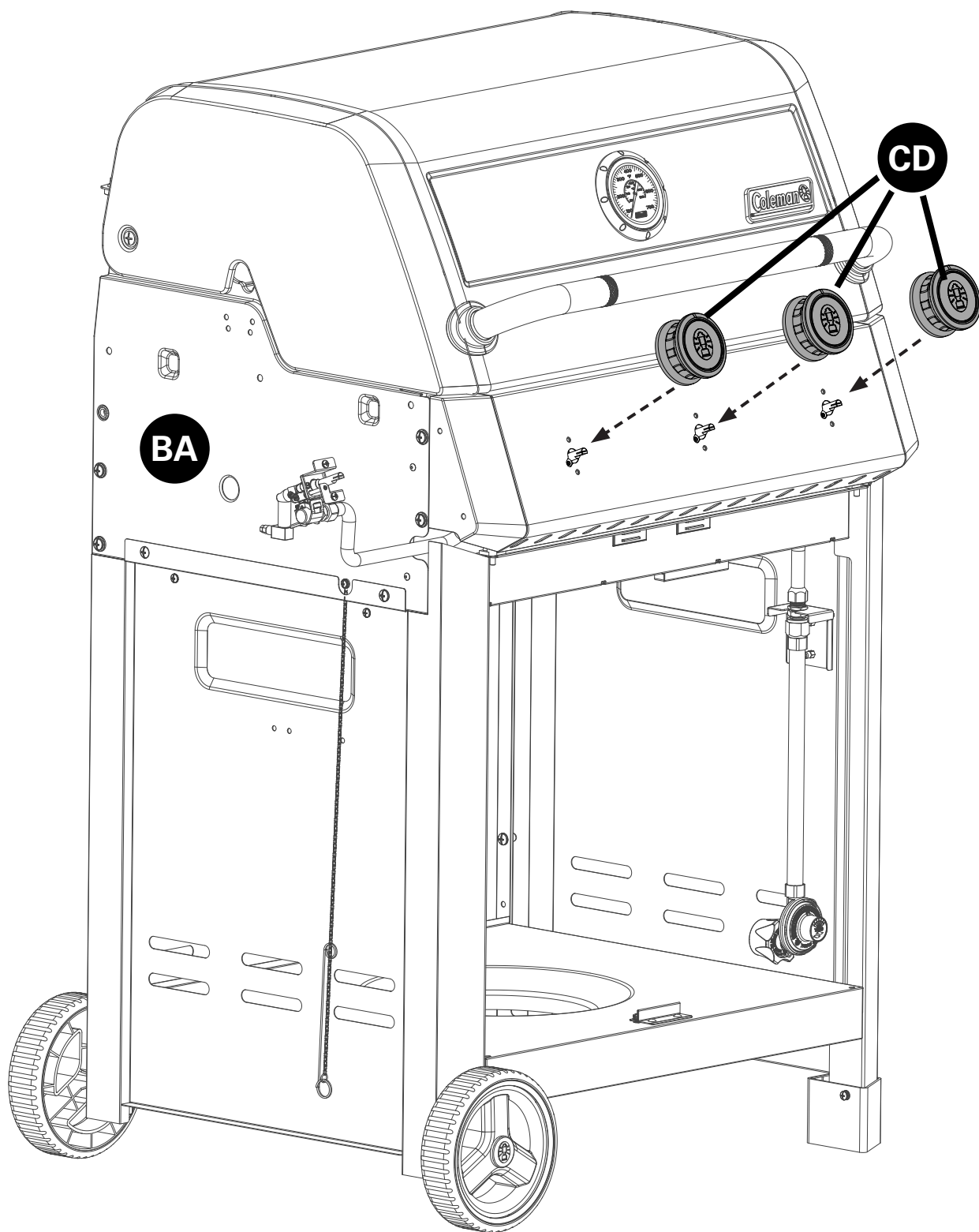


B.



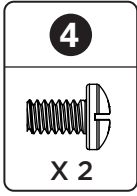
ASSEMBLY INSTRUCTIONS

10

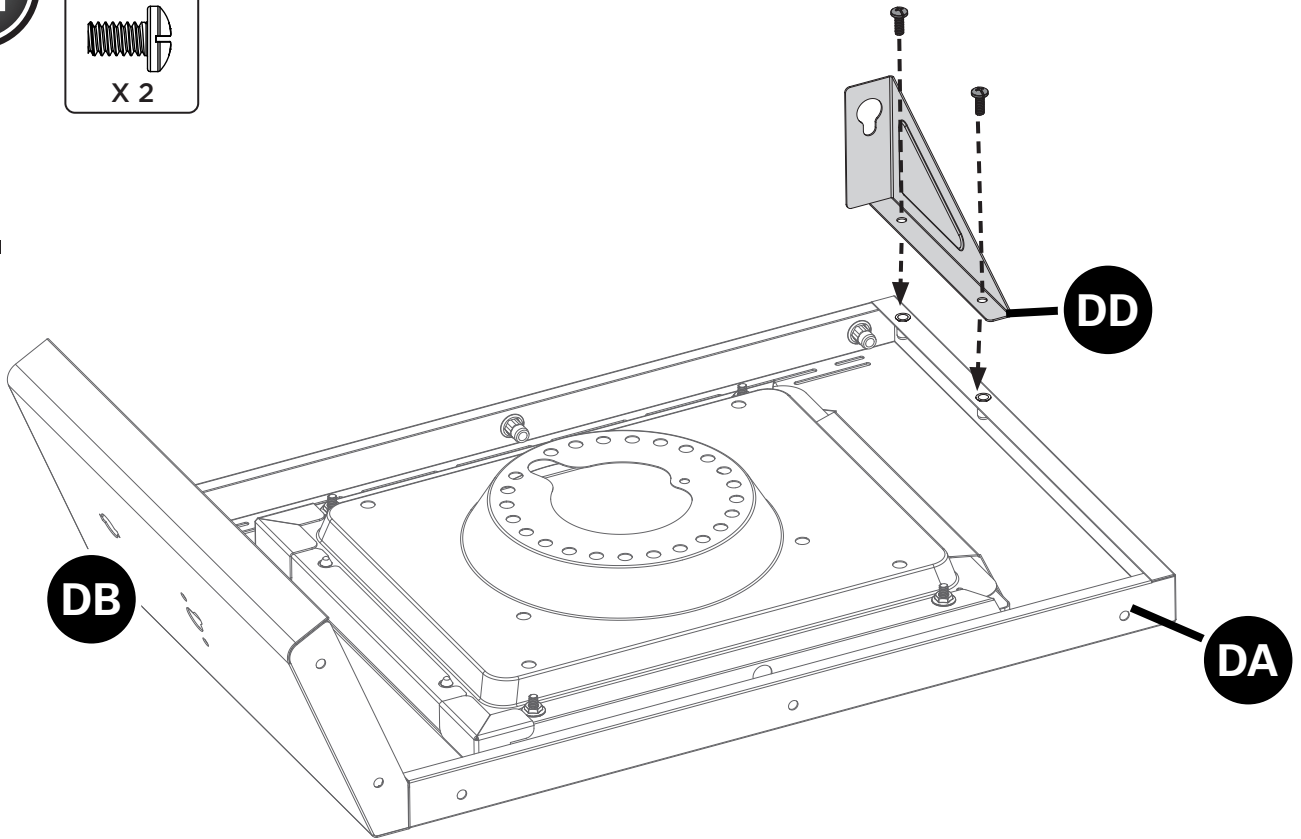


ASSEMBLY INSTRUCTIONS

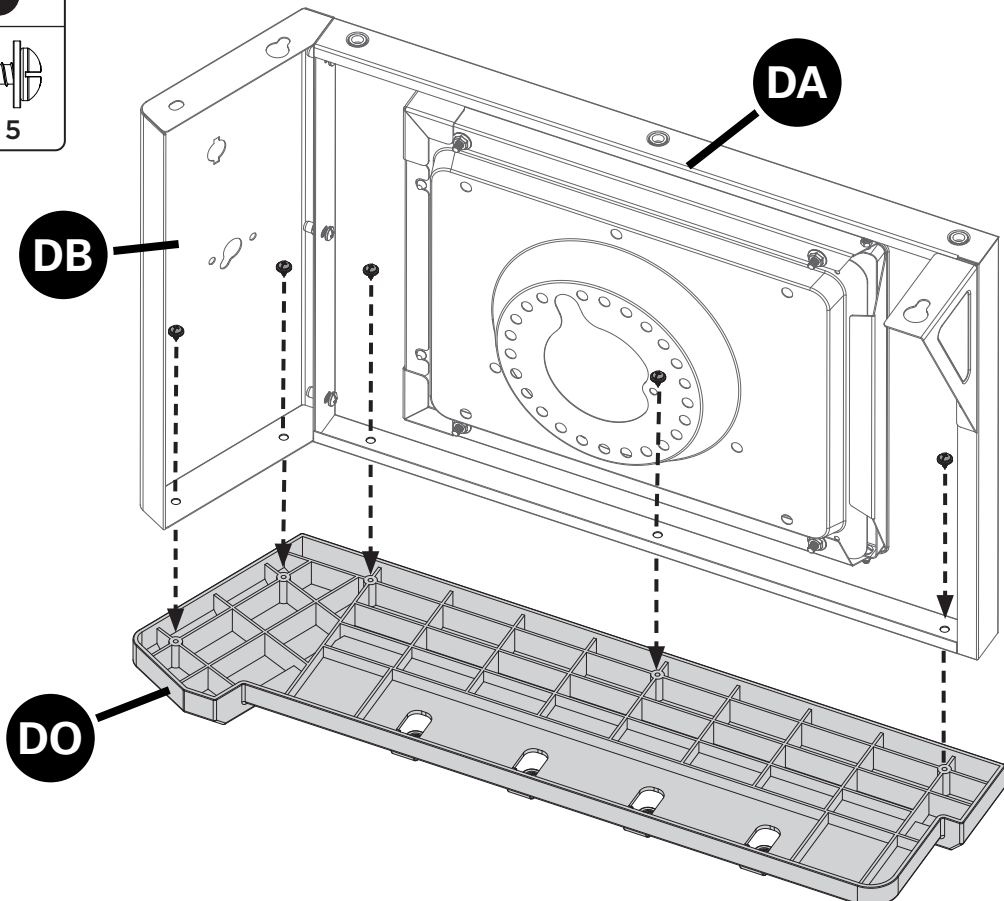
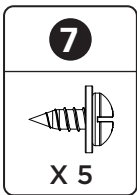
11



A.



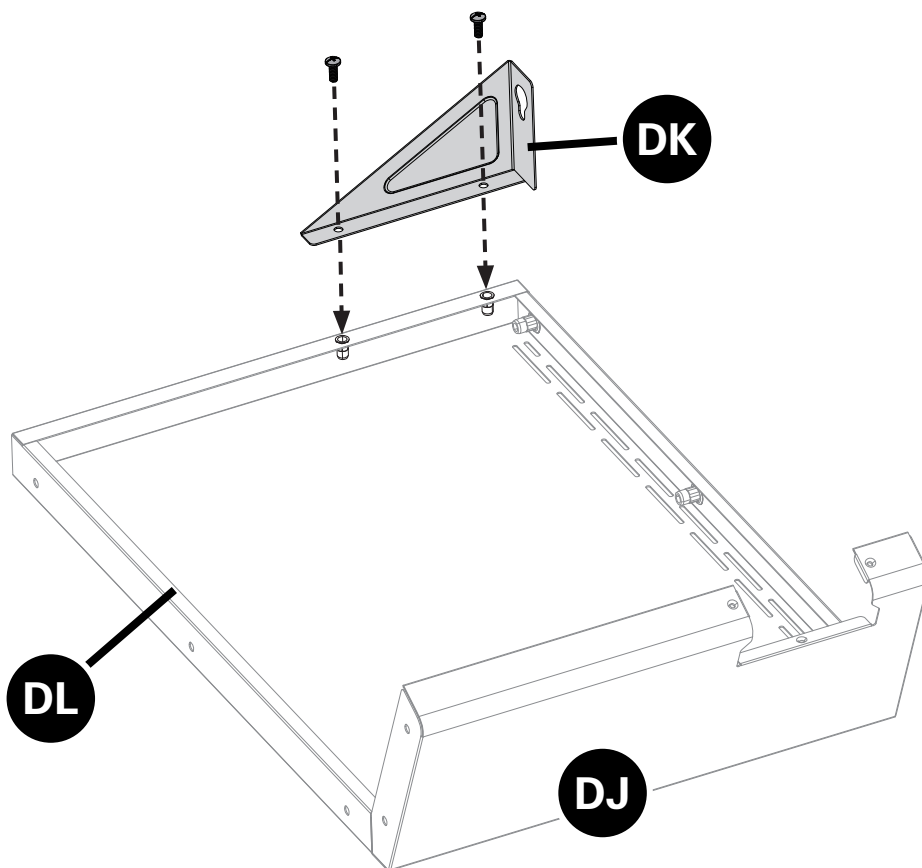
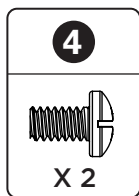
B.



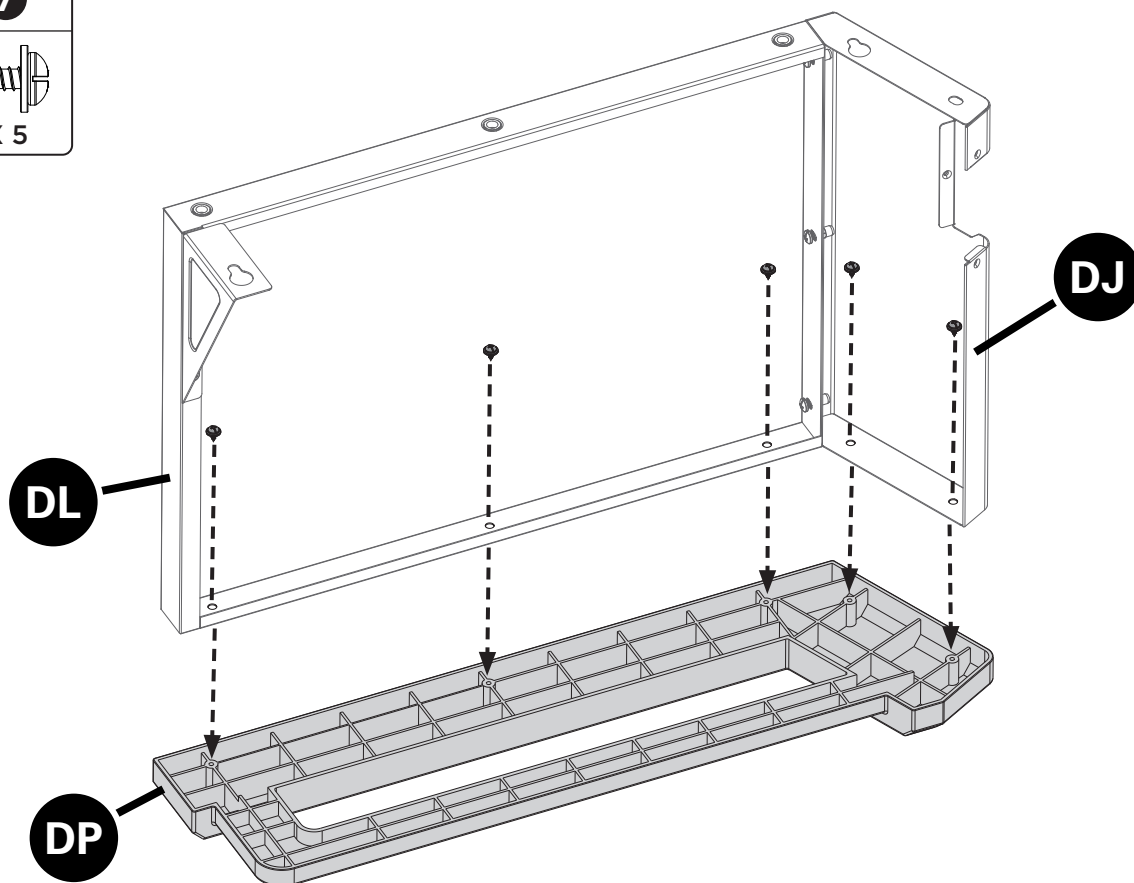
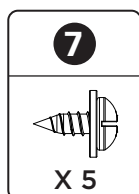
ASSEMBLY INSTRUCTIONS

11

C.

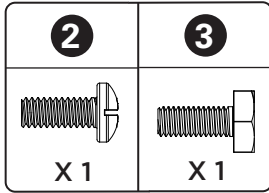


D.

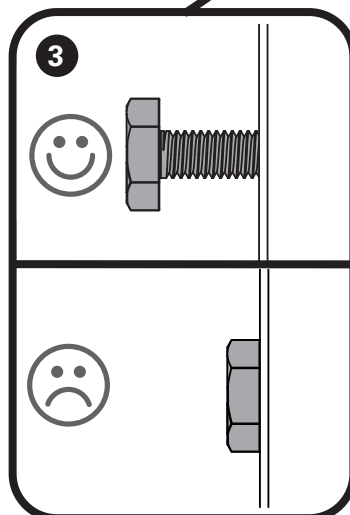
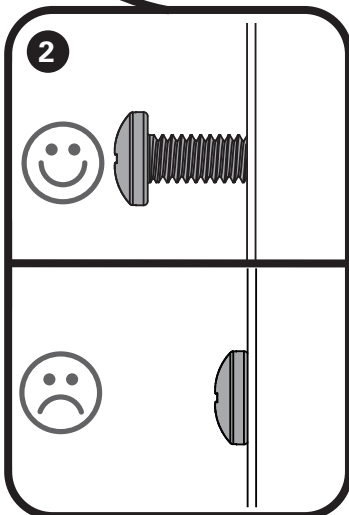
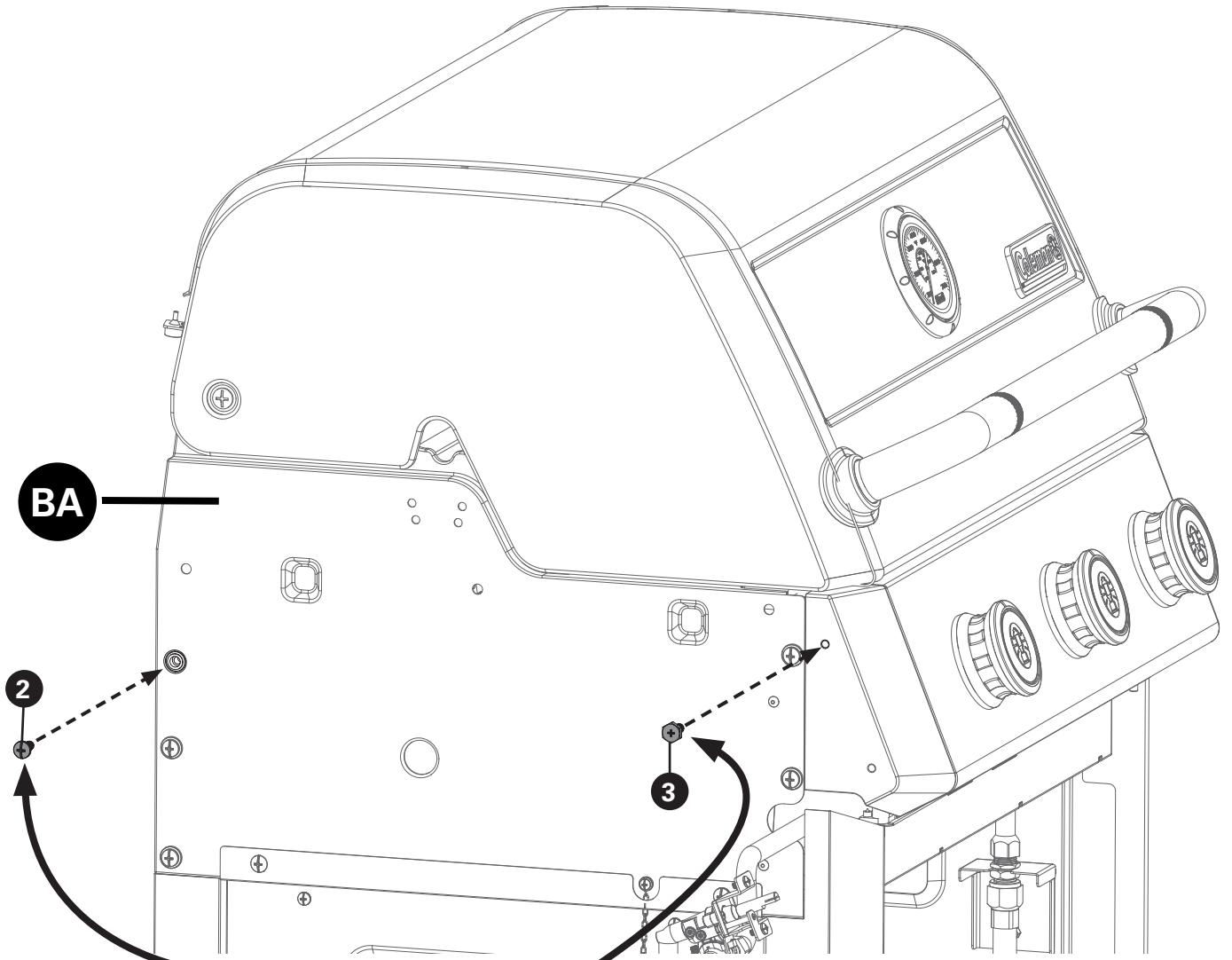


ASSEMBLY INSTRUCTIONS

12



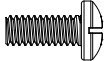

A.



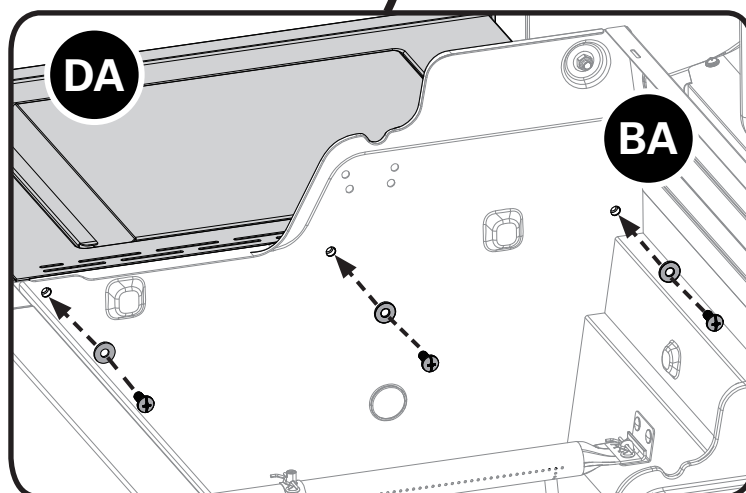
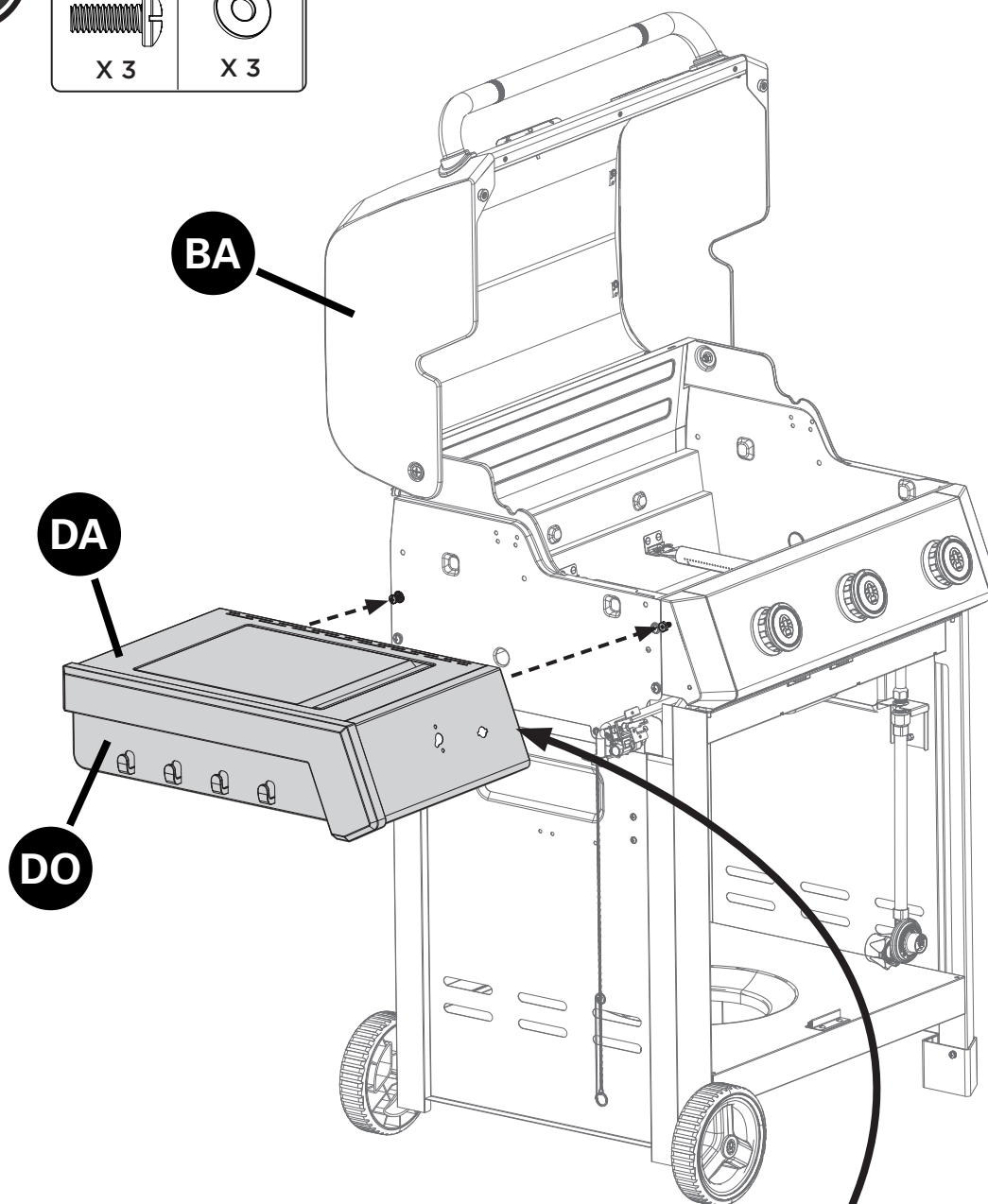
Don't tighten the screws.

ASSEMBLY INSTRUCTIONS

12

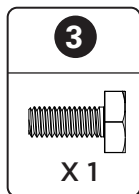
| | |
|--|--|
| 2  X 3 | 8  X 3 |
|--|--|

B.

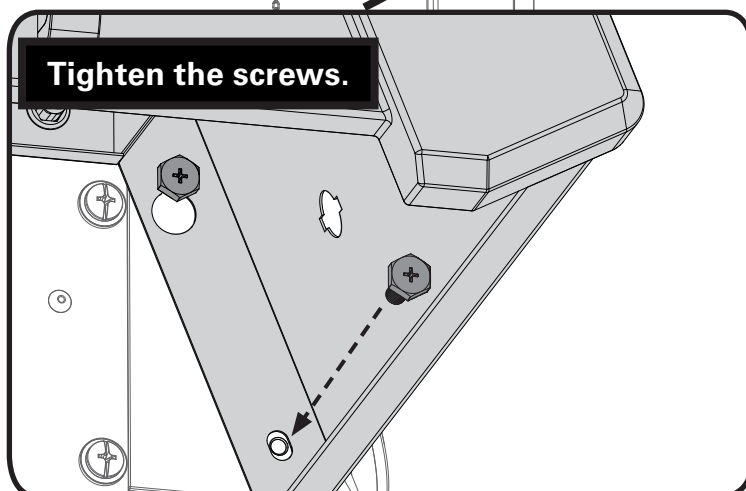
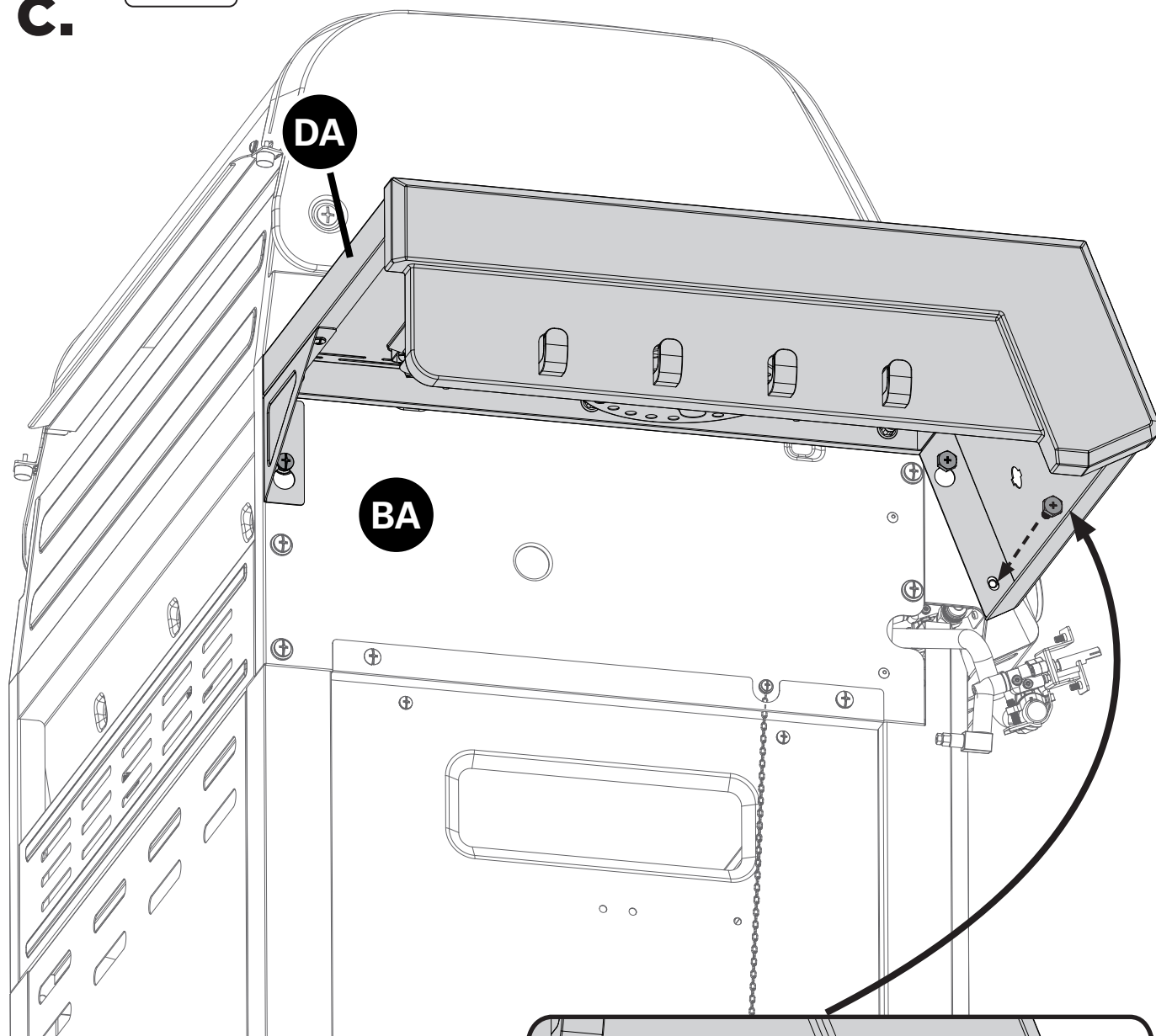


ASSEMBLY INSTRUCTIONS

12



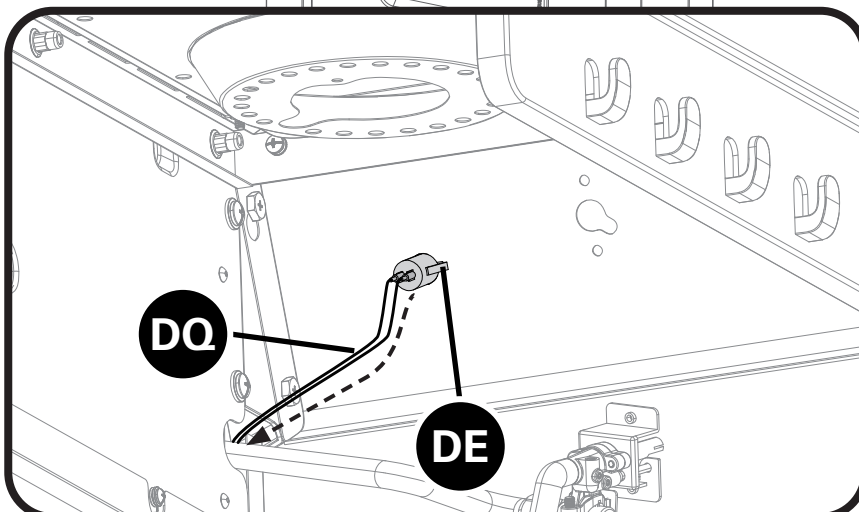
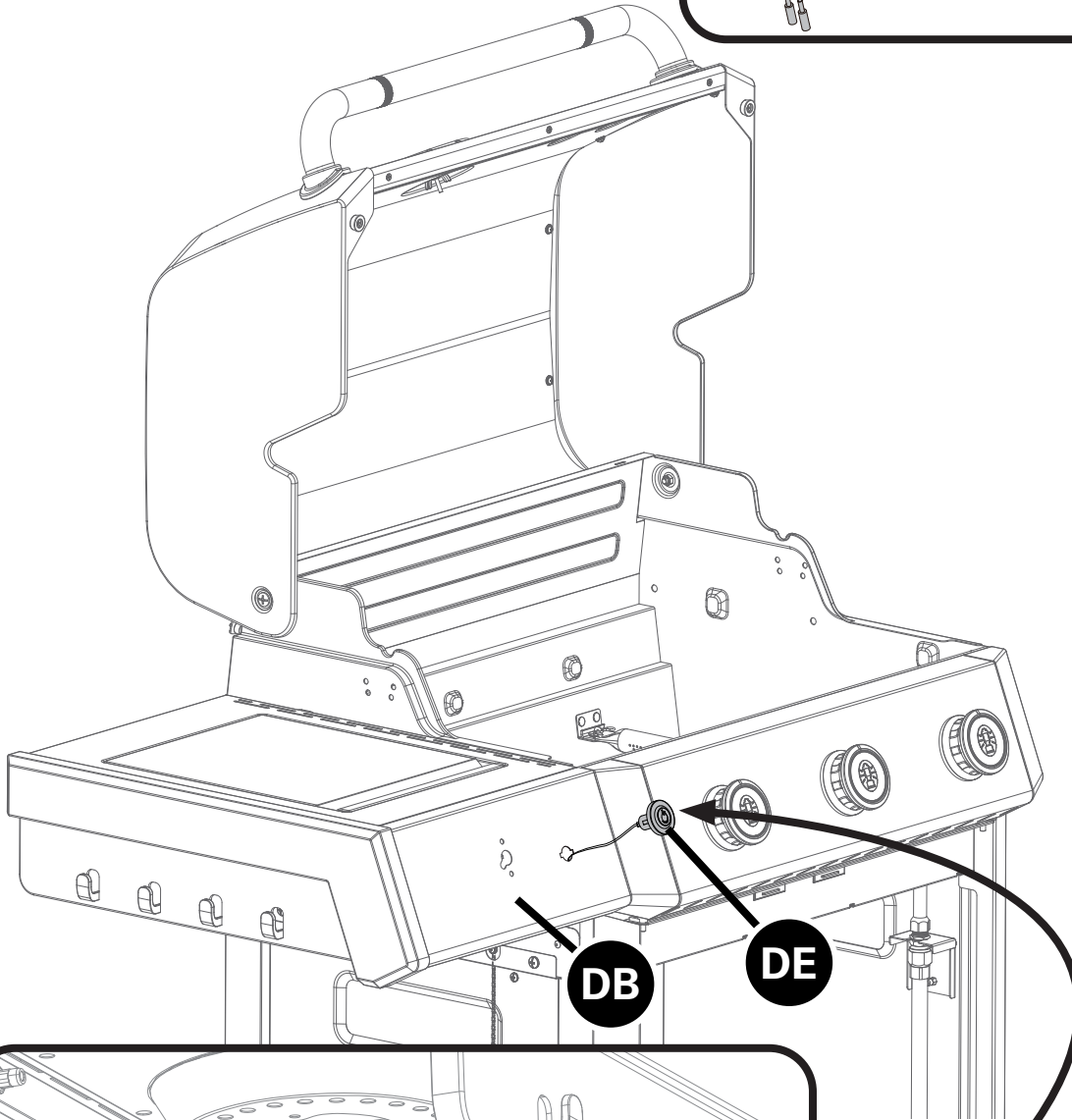
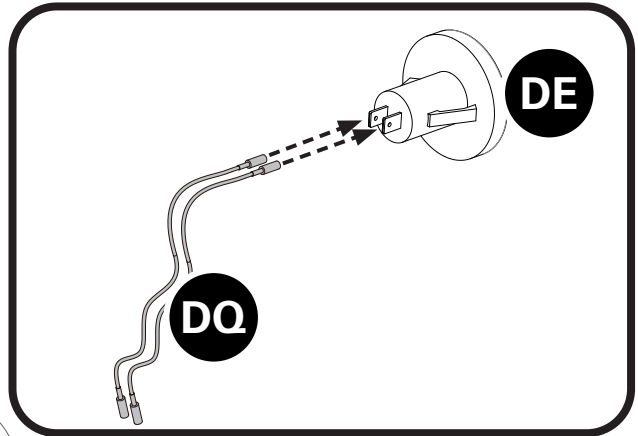
C.



ASSEMBLY INSTRUCTIONS

12

D.



Attention: Feed the ignition button wires through the opening in the burner box.

ASSEMBLY INSTRUCTIONS

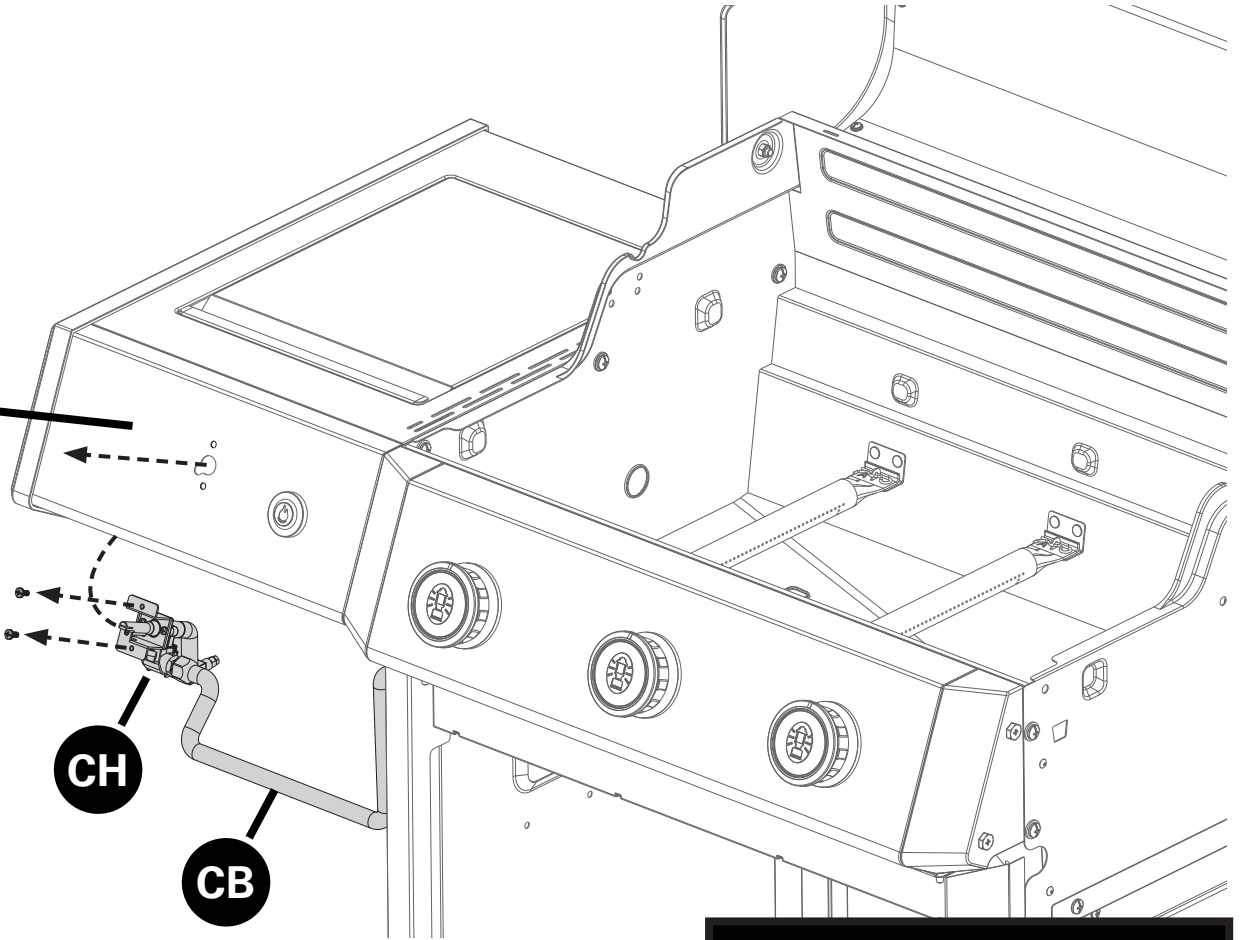
12

E.

DB

CH

CB

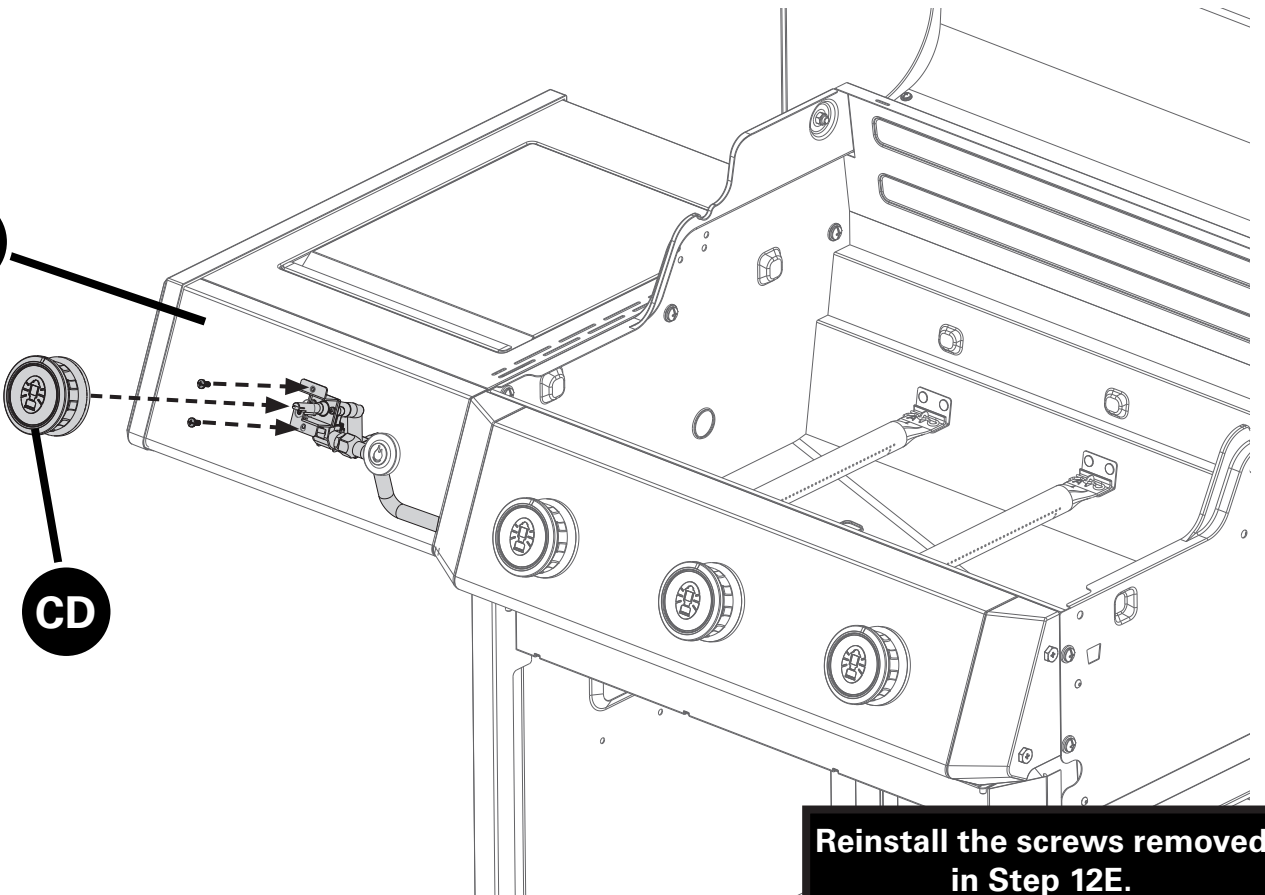


Remove the hardware from the side stove valve.

F.

DB

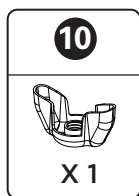
CD



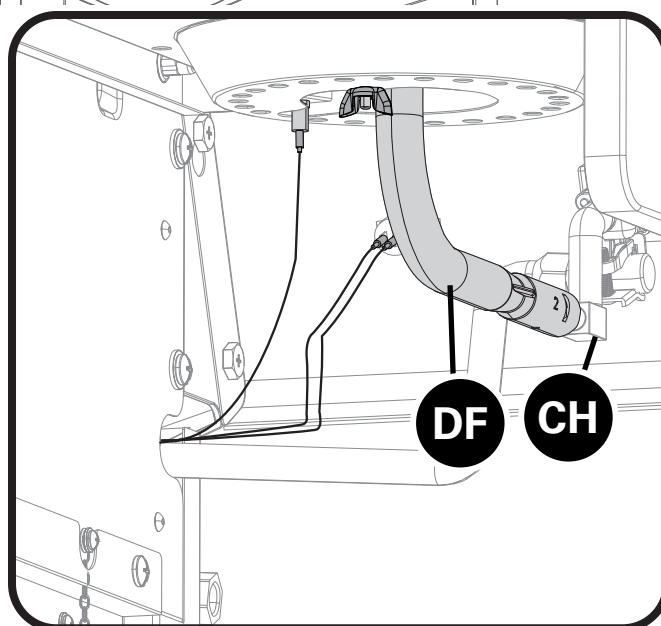
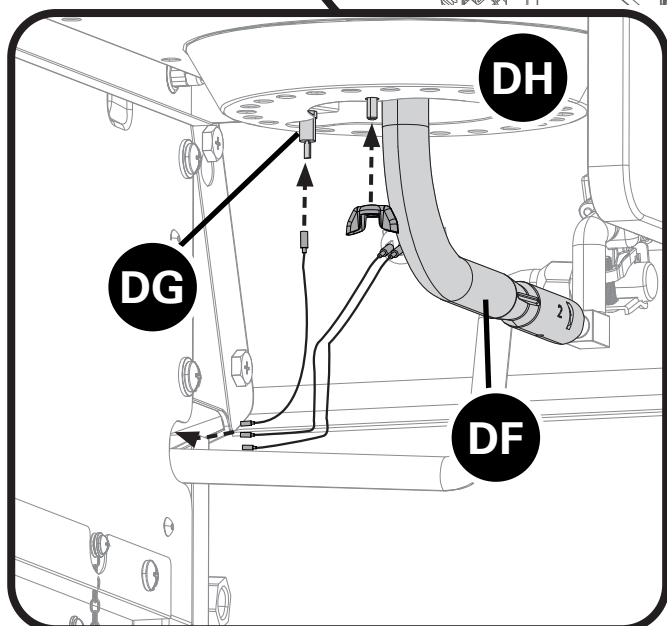
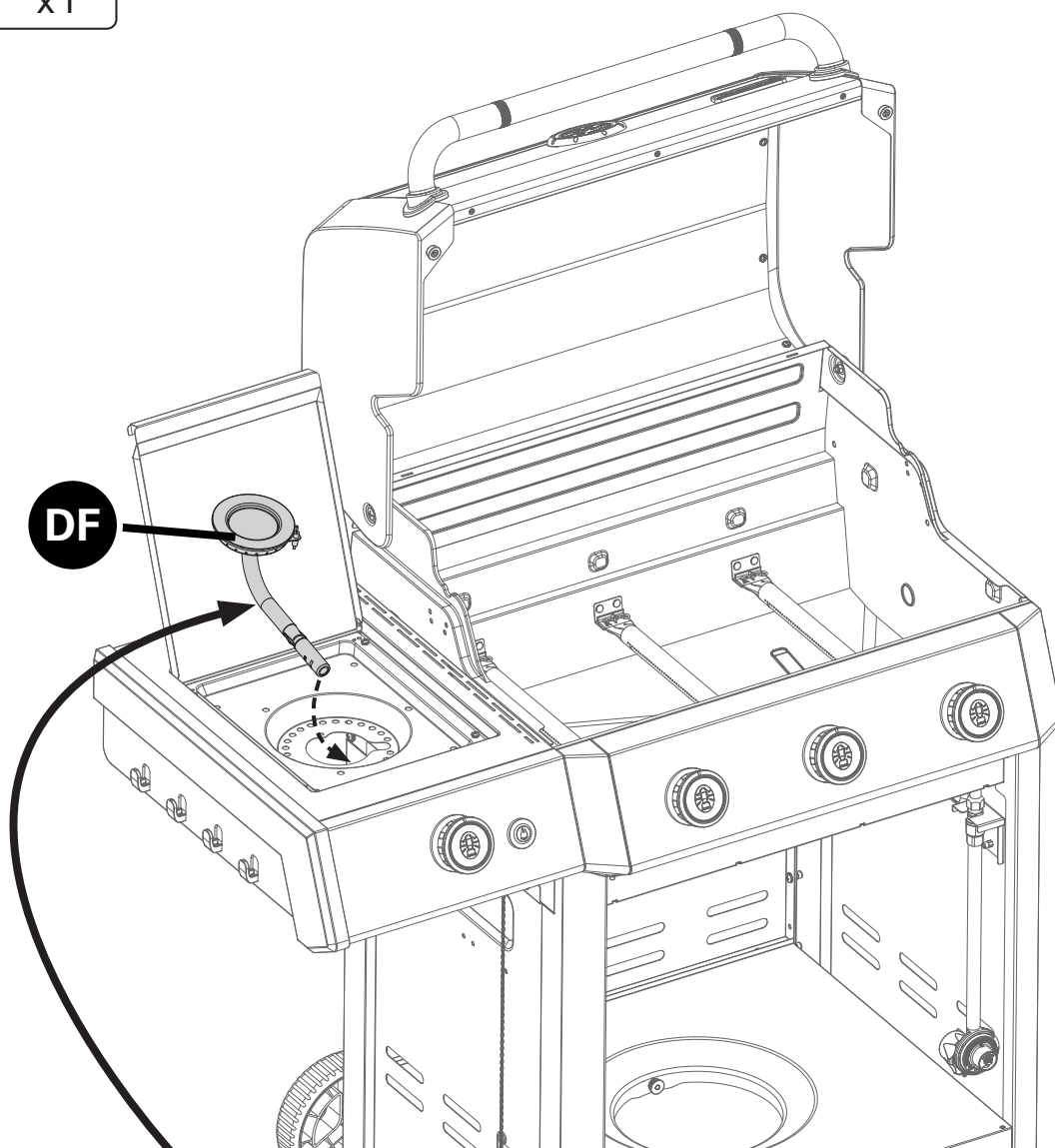
Reinstall the screws removed in Step 12E.

ASSEMBLY INSTRUCTIONS

12



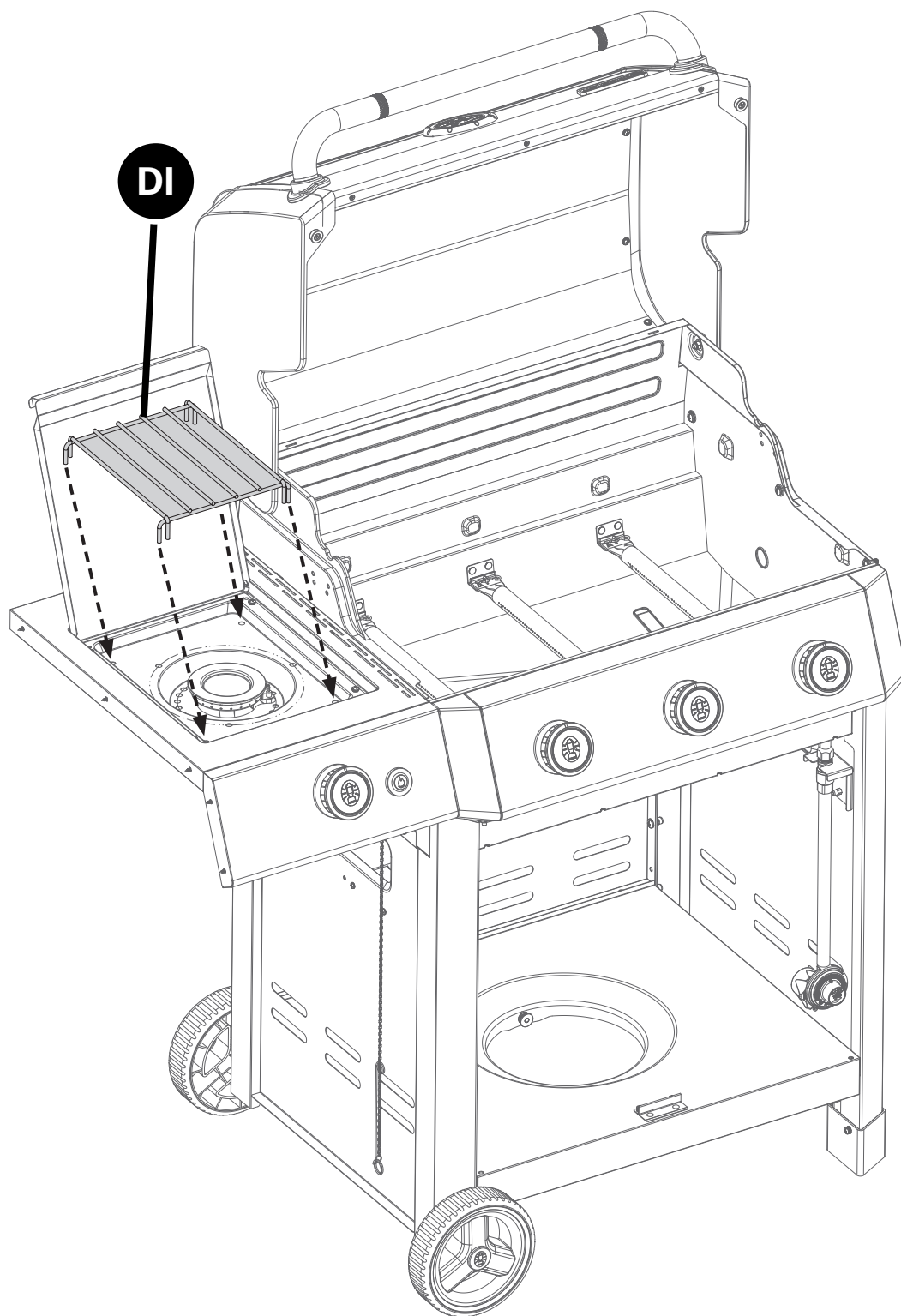
G.



ASSEMBLY INSTRUCTIONS

12

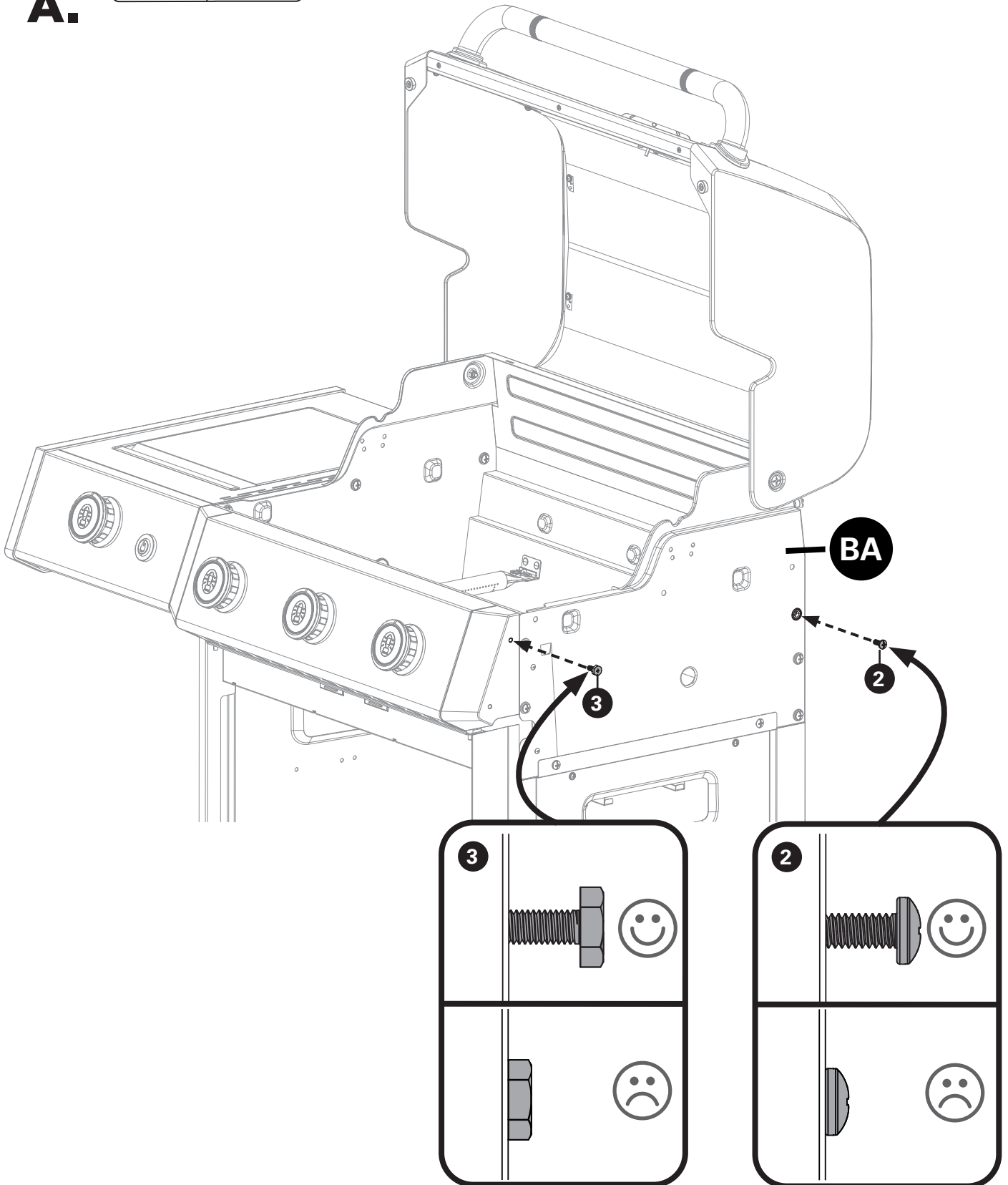
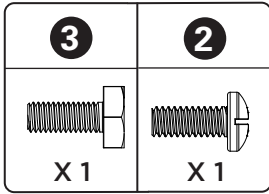
H.



ASSEMBLY INSTRUCTIONS

13

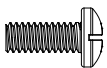

A.



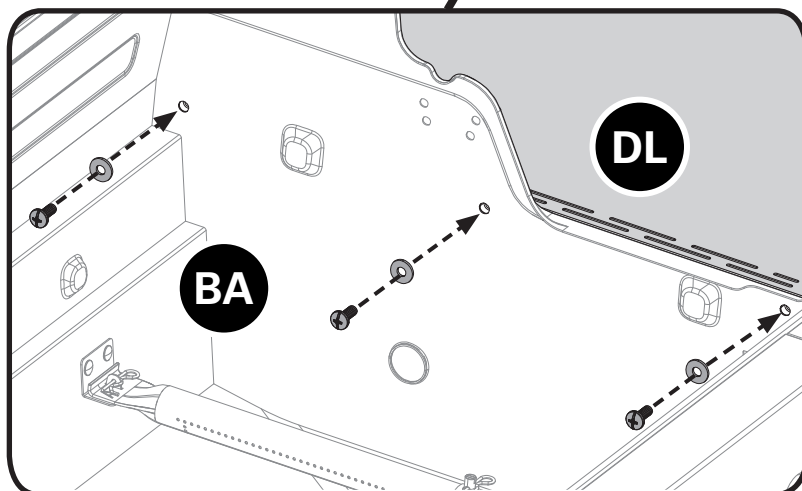
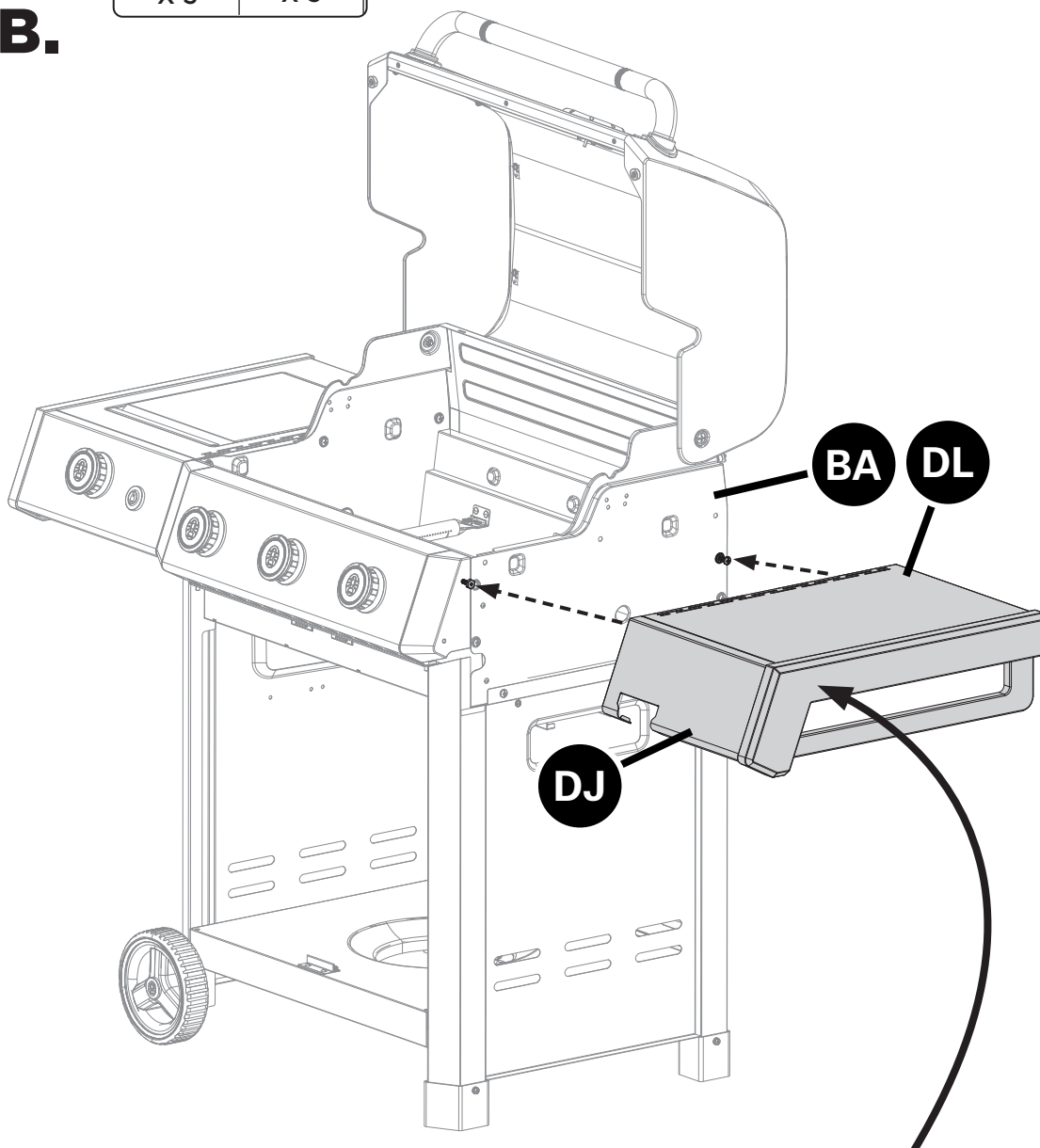
Don't tighten the screws.

ASSEMBLY INSTRUCTIONS

13

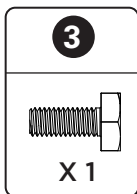
| | |
|--|--|
| 2  X 3 | 8  X 3 |
|--|--|

B.

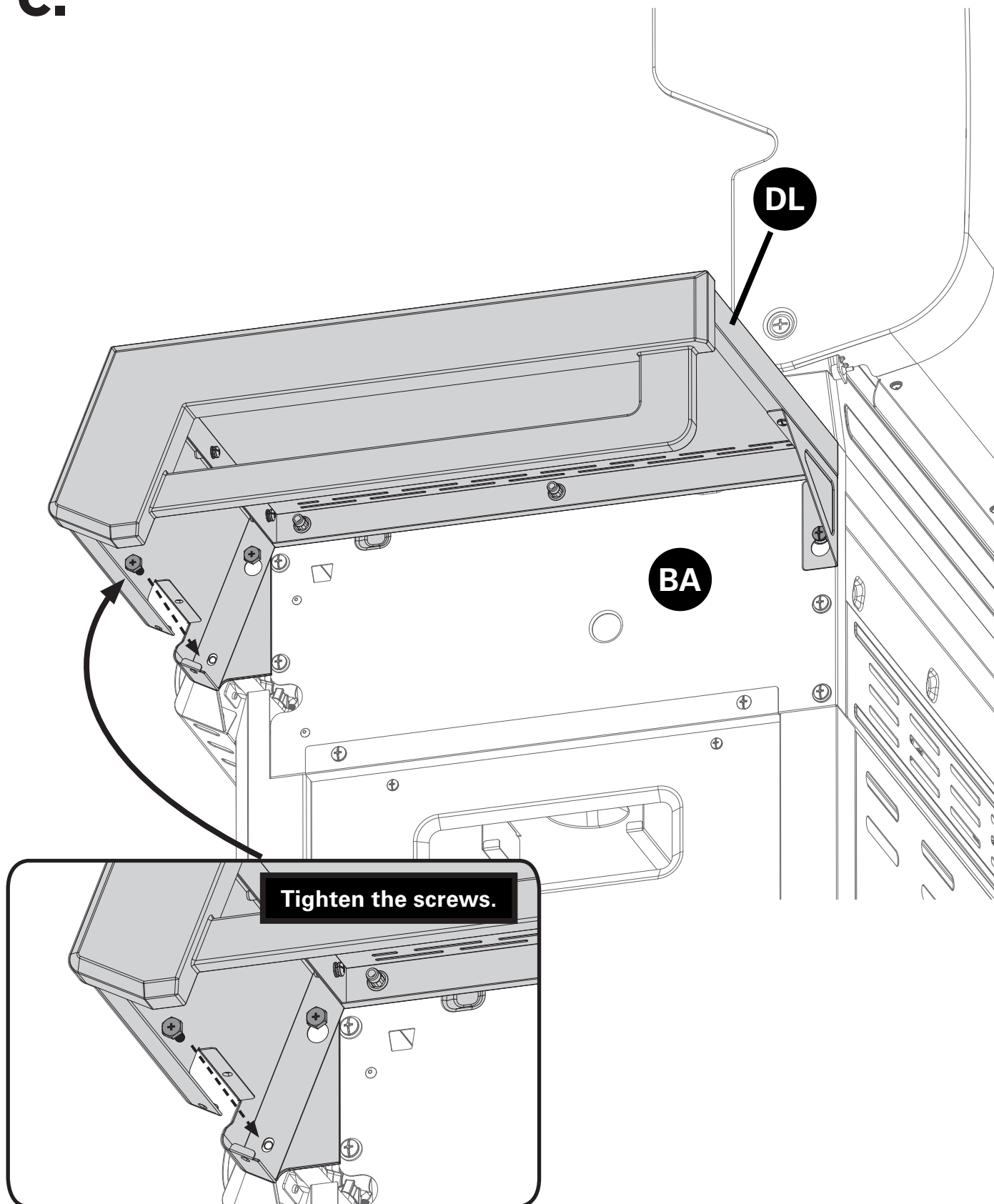


ASSEMBLY INSTRUCTIONS

13






C.

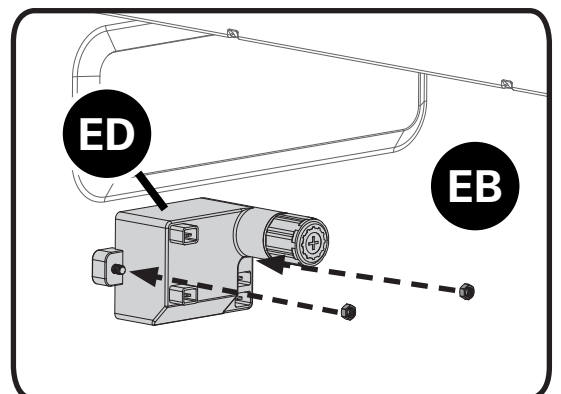
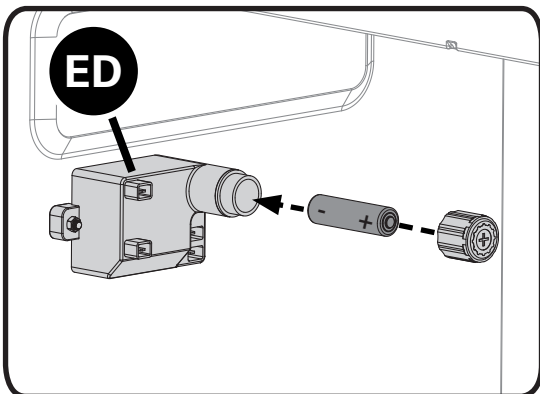
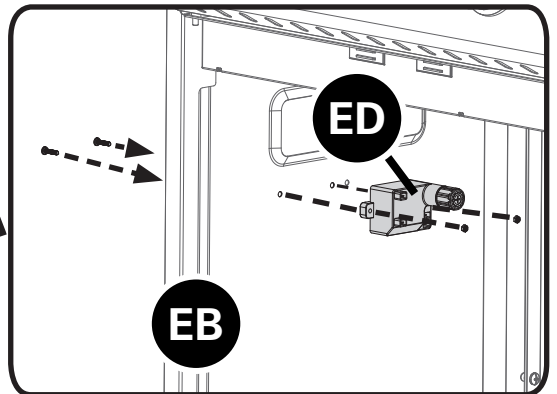
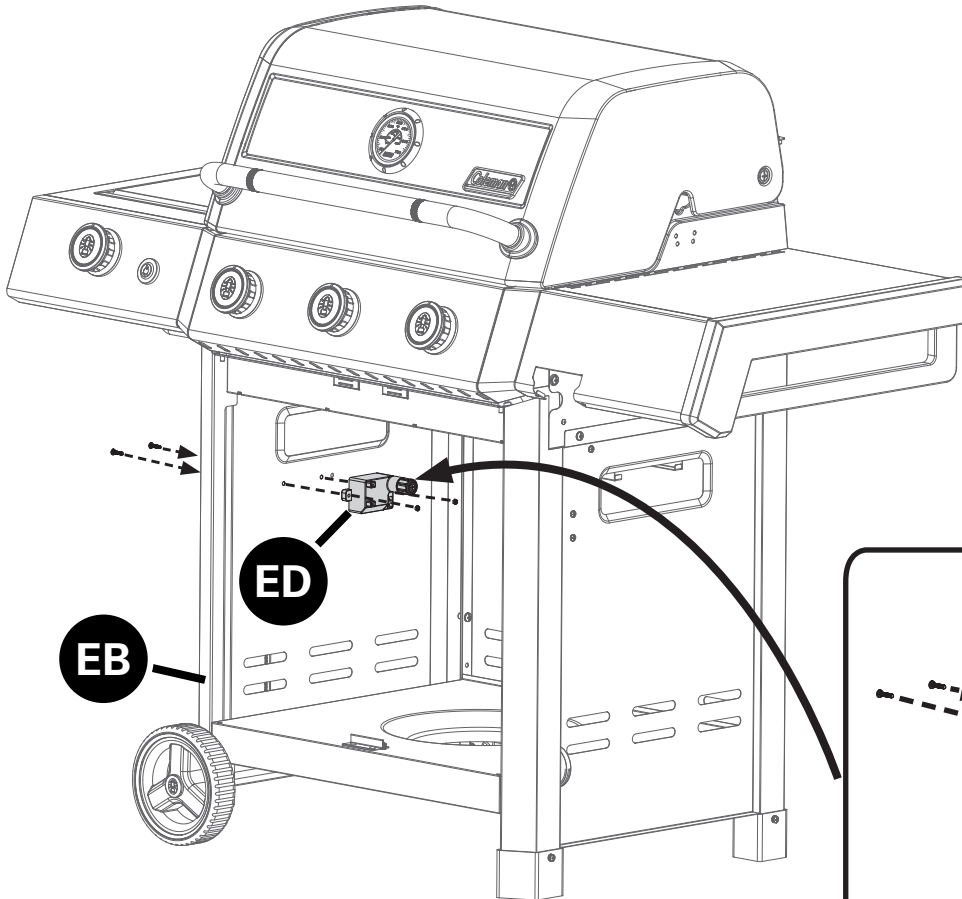


ASSEMBLY INSTRUCTIONS

14

| | | |
|--|--|---|
| 5  X 2 | 9  X 2 | 13  X 1 |
|--|--|---|

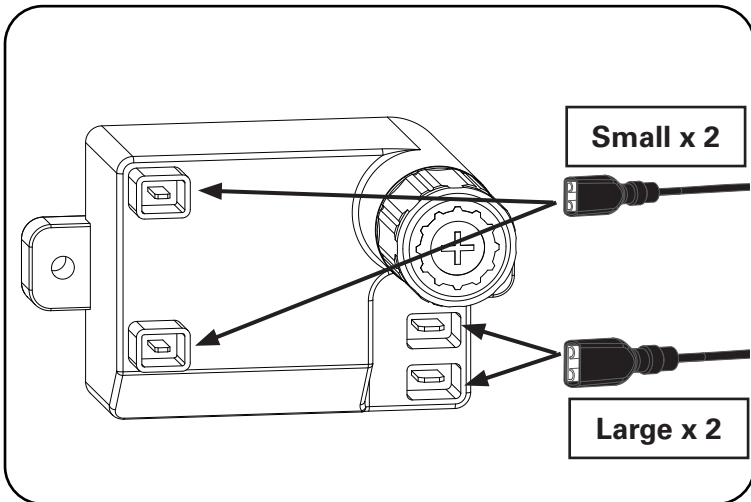
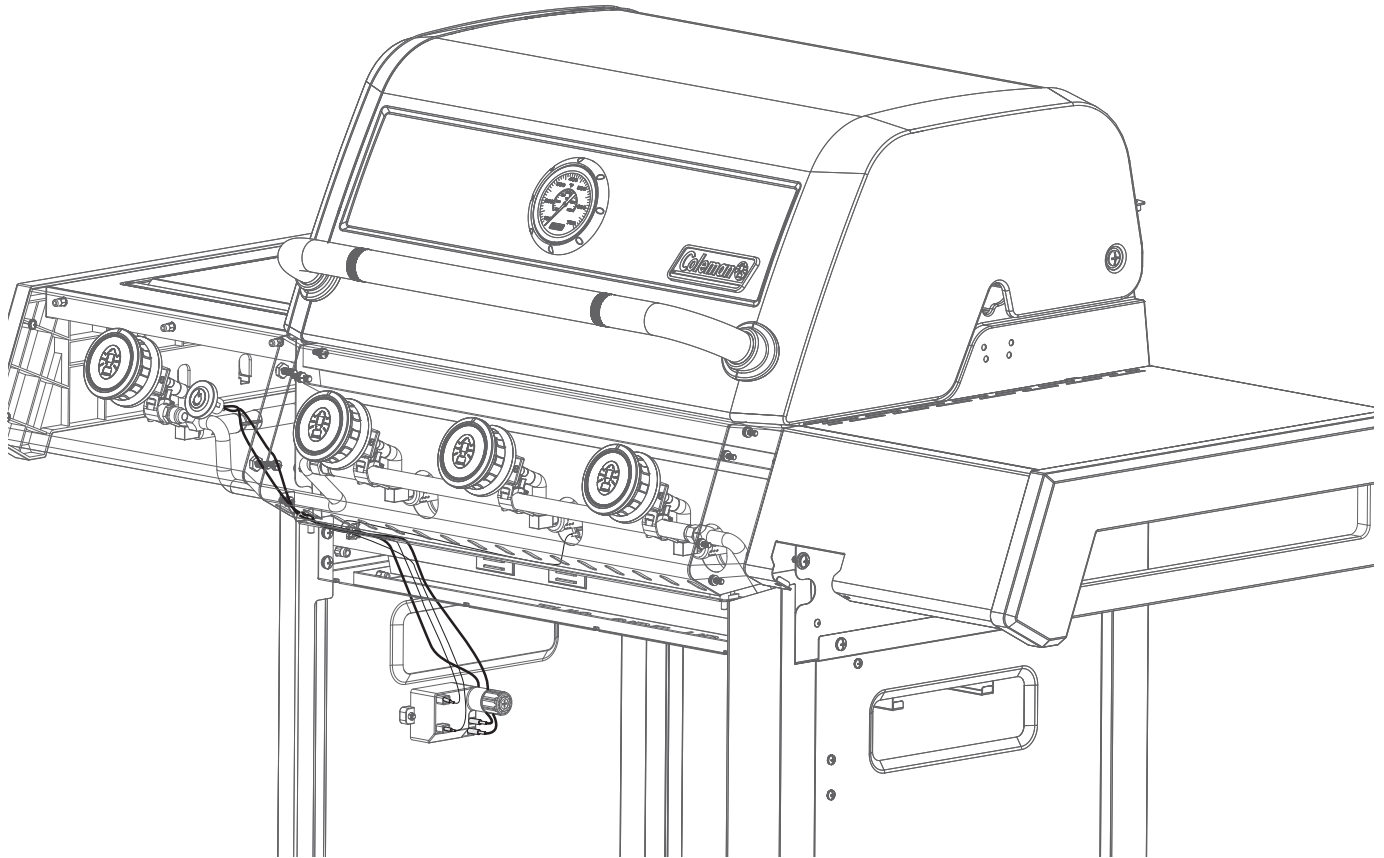
A.



ASSEMBLY INSTRUCTIONS

14

B.



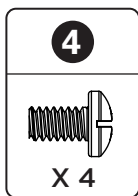
| | |
|-----------|---|
| BE | Electrode Set, Main Burner Small Wire |
| DG | Electrode Set, Side Stove Small Wire |
| DQ | Ignition Wire Large Wire |

If not visible, the electrode wires (BE) can be found behind the control panel.

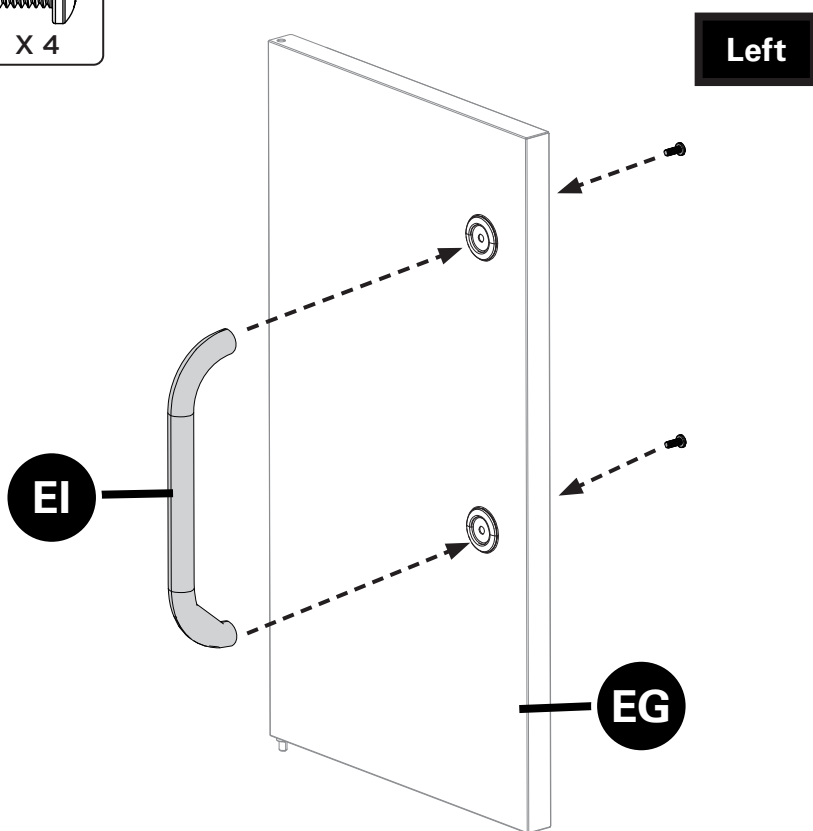
Tip: Firmly grasp the wires between your thumb and index finger. Insert the wire into the appropriate terminal until a positive connection is made.

ASSEMBLY INSTRUCTIONS

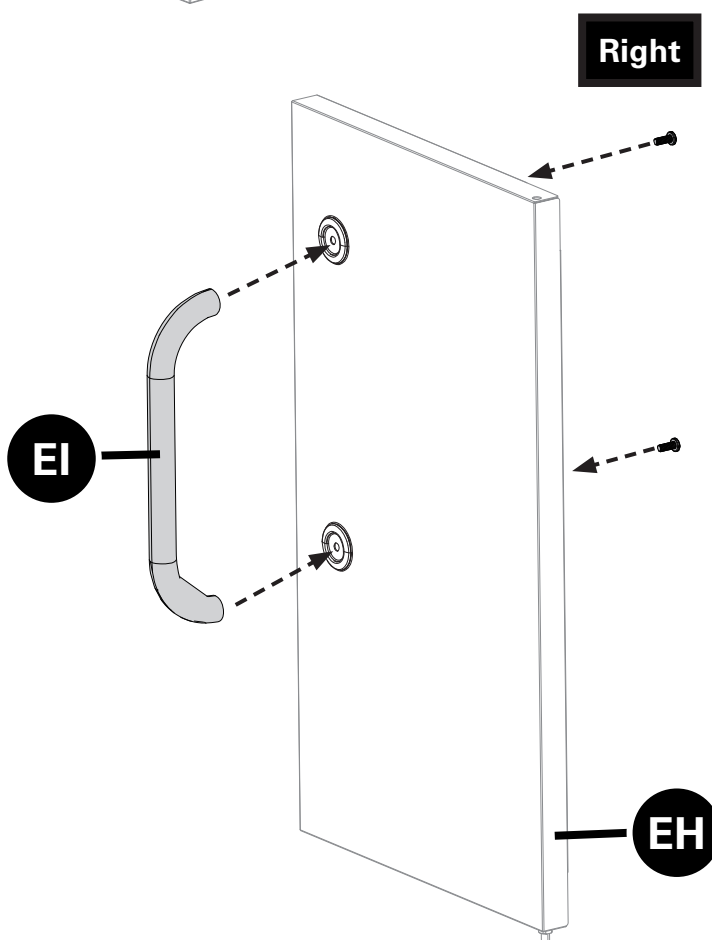
15



A.



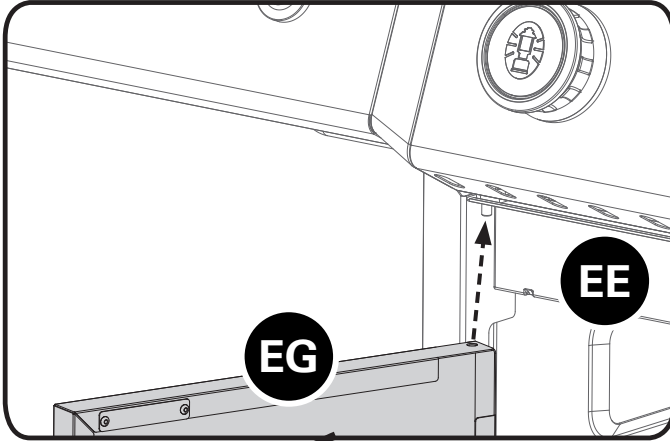
B.



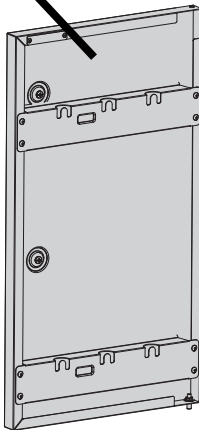
ASSEMBLY INSTRUCTIONS

15

C.



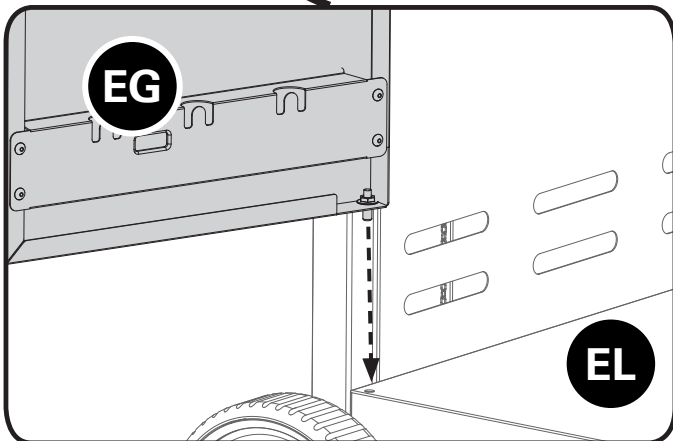
EG



EE

EL

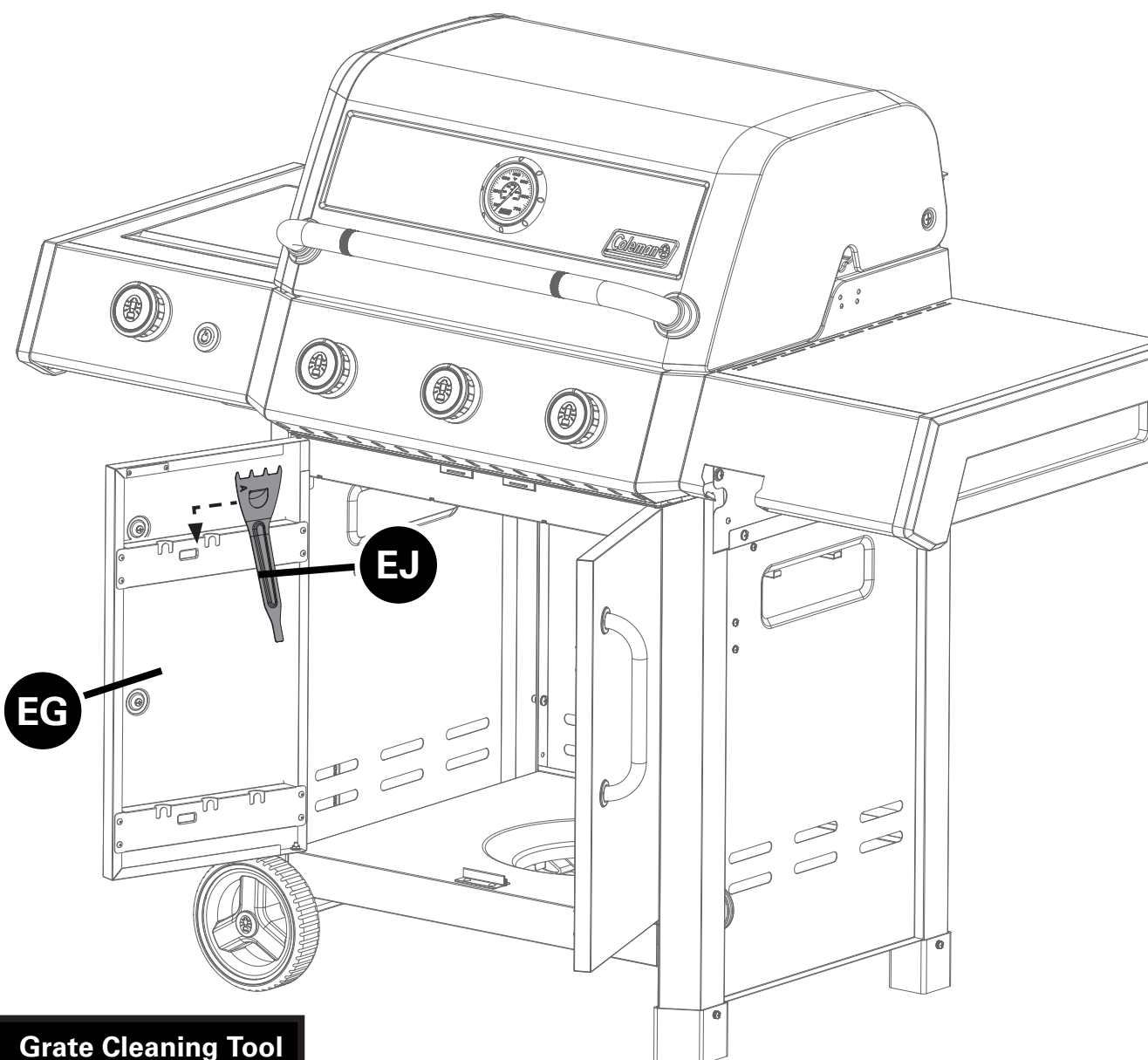
EH



ASSEMBLY INSTRUCTIONS

15

D.



Grate Cleaning Tool

ASSEMBLY INSTRUCTIONS



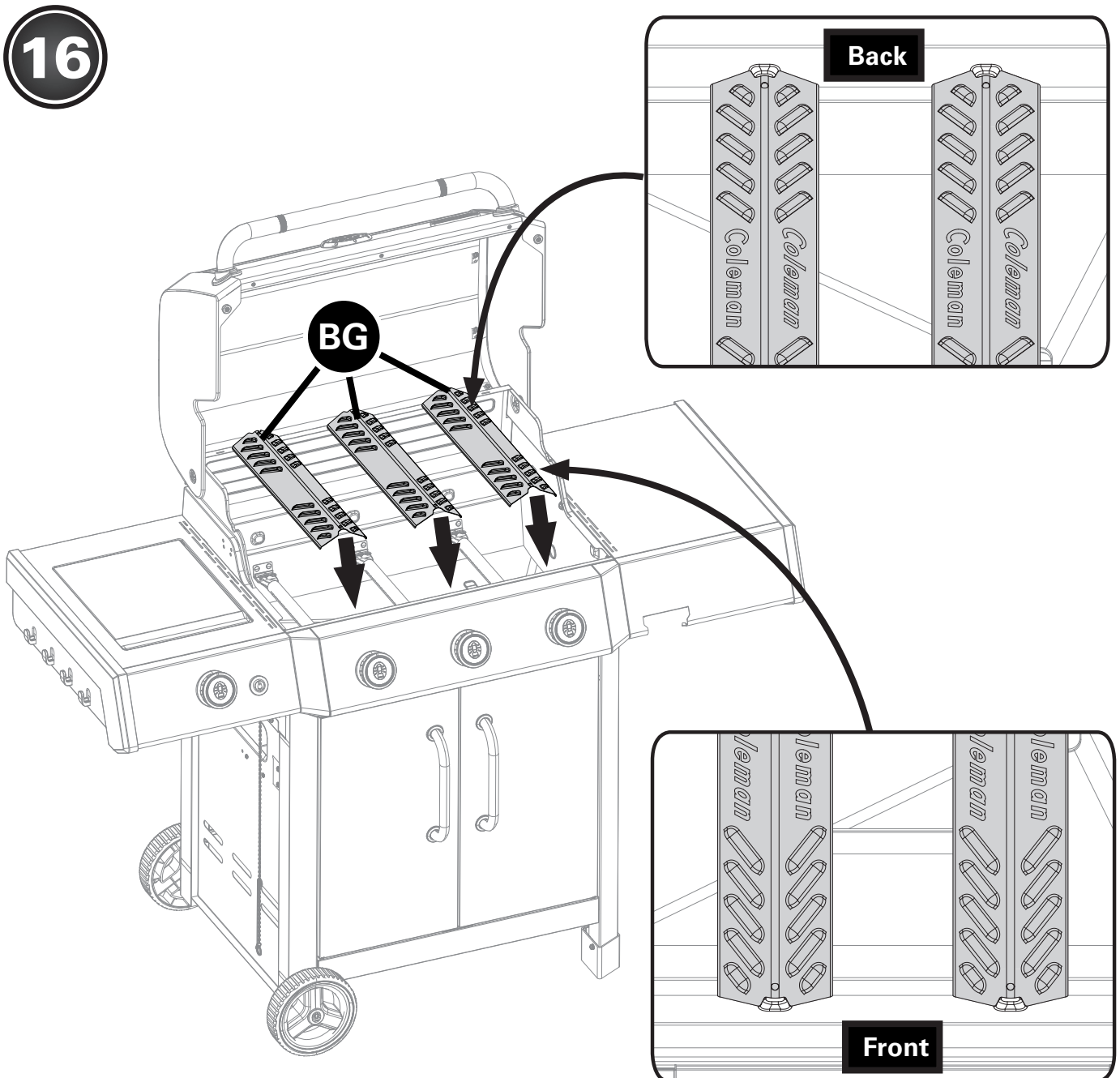
CONVERTIBLE VALVE SYSTEM™

ATTENTION:

Your model includes the CONVERTIBLE VALVE SYSTEM™. If you would like to convert your barbecue from propane to natural gas, the following kit is required Convertible Valve System™ Natural Gas Conversion Kit (085-2261-4).

Before completing steps 16 to 21, follow the steps outlined in the CONVERTIBLE VALVE SYSTEM™ instruction manual that accompanied the kit.

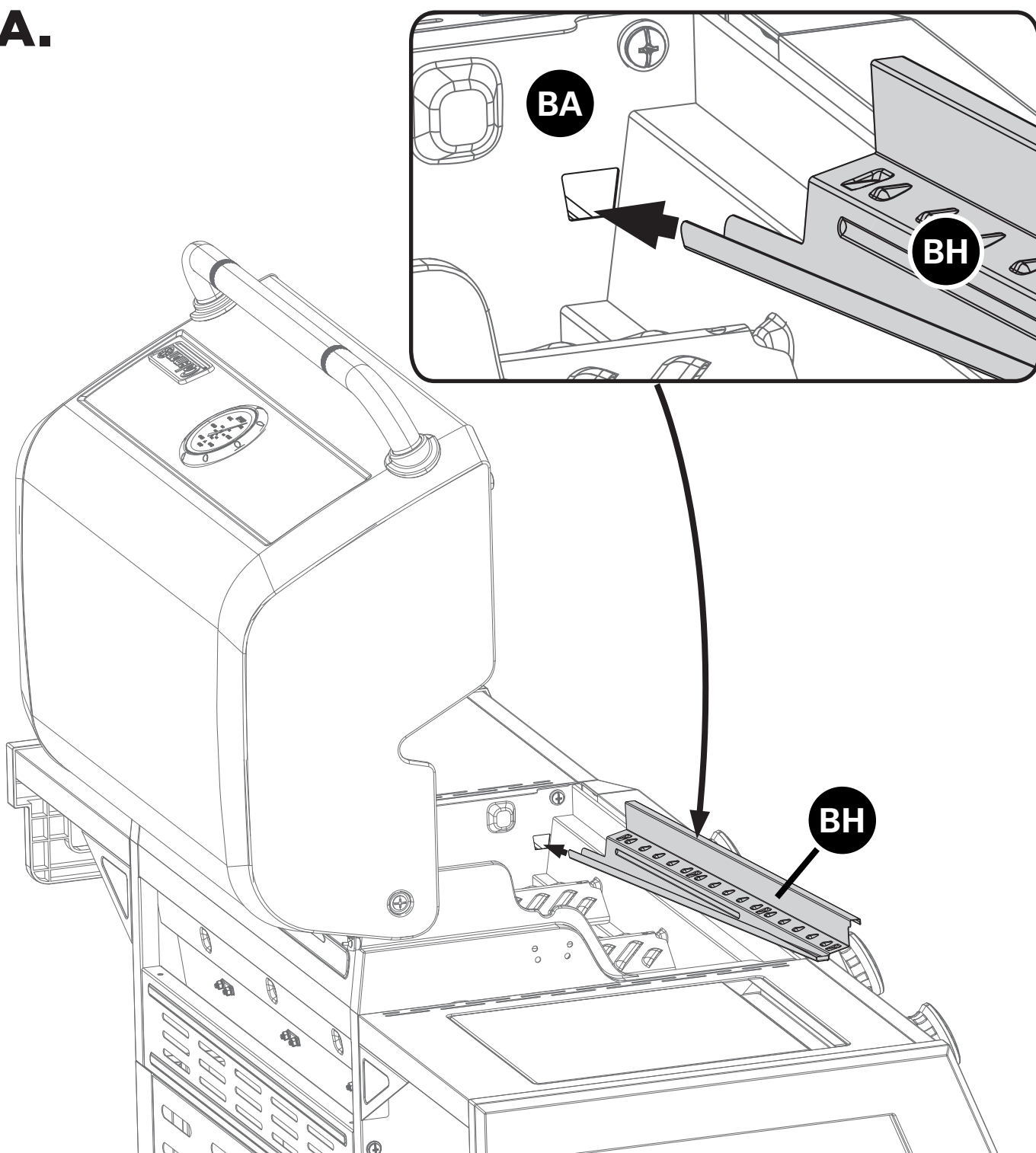
16



ASSEMBLY INSTRUCTIONS

17

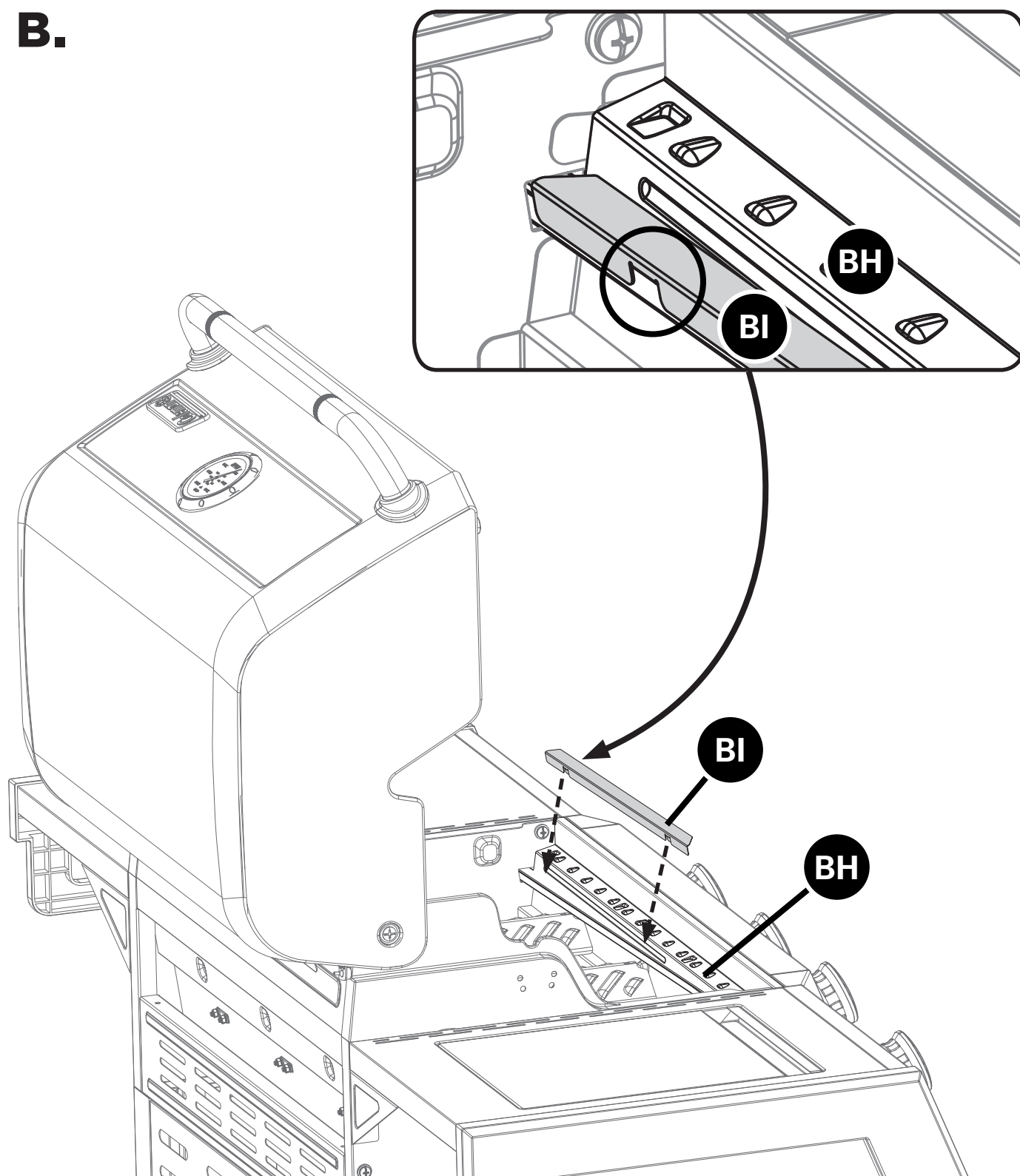
A.



ASSEMBLY INSTRUCTIONS

17

B.



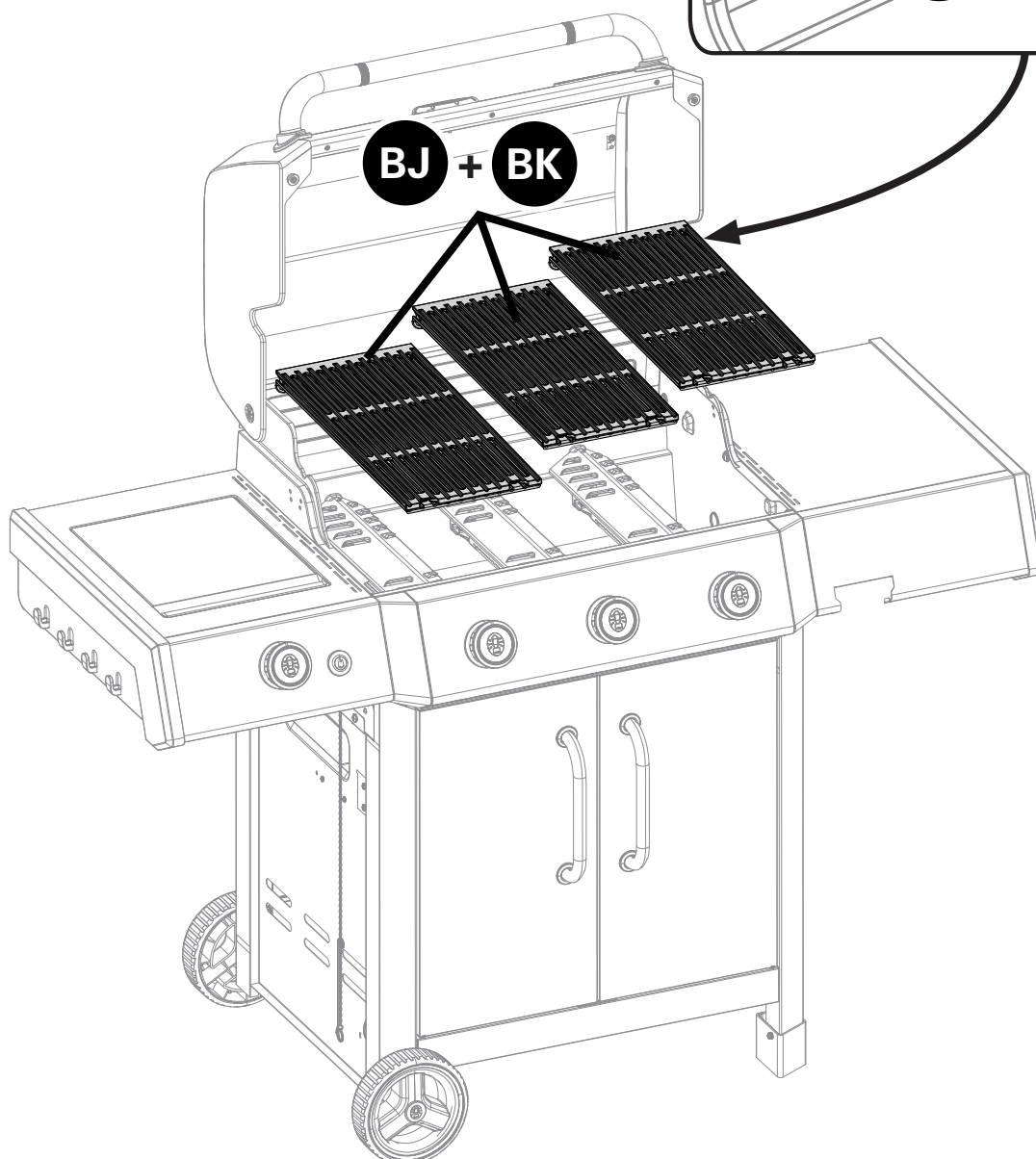
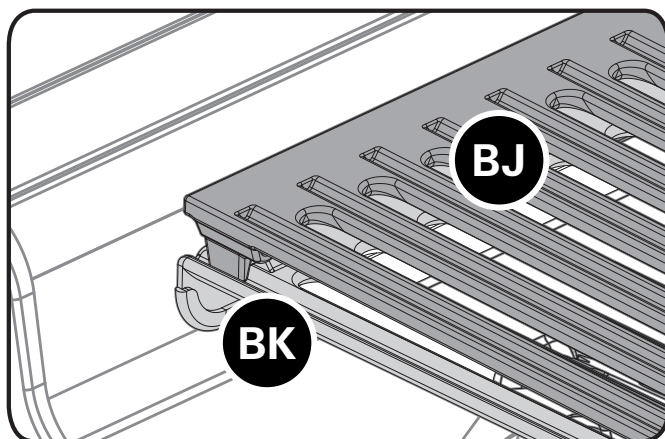
ASSEMBLY INSTRUCTIONS

18

ATTENTION:
STACK GRATES BEFORE
POSITIONING.

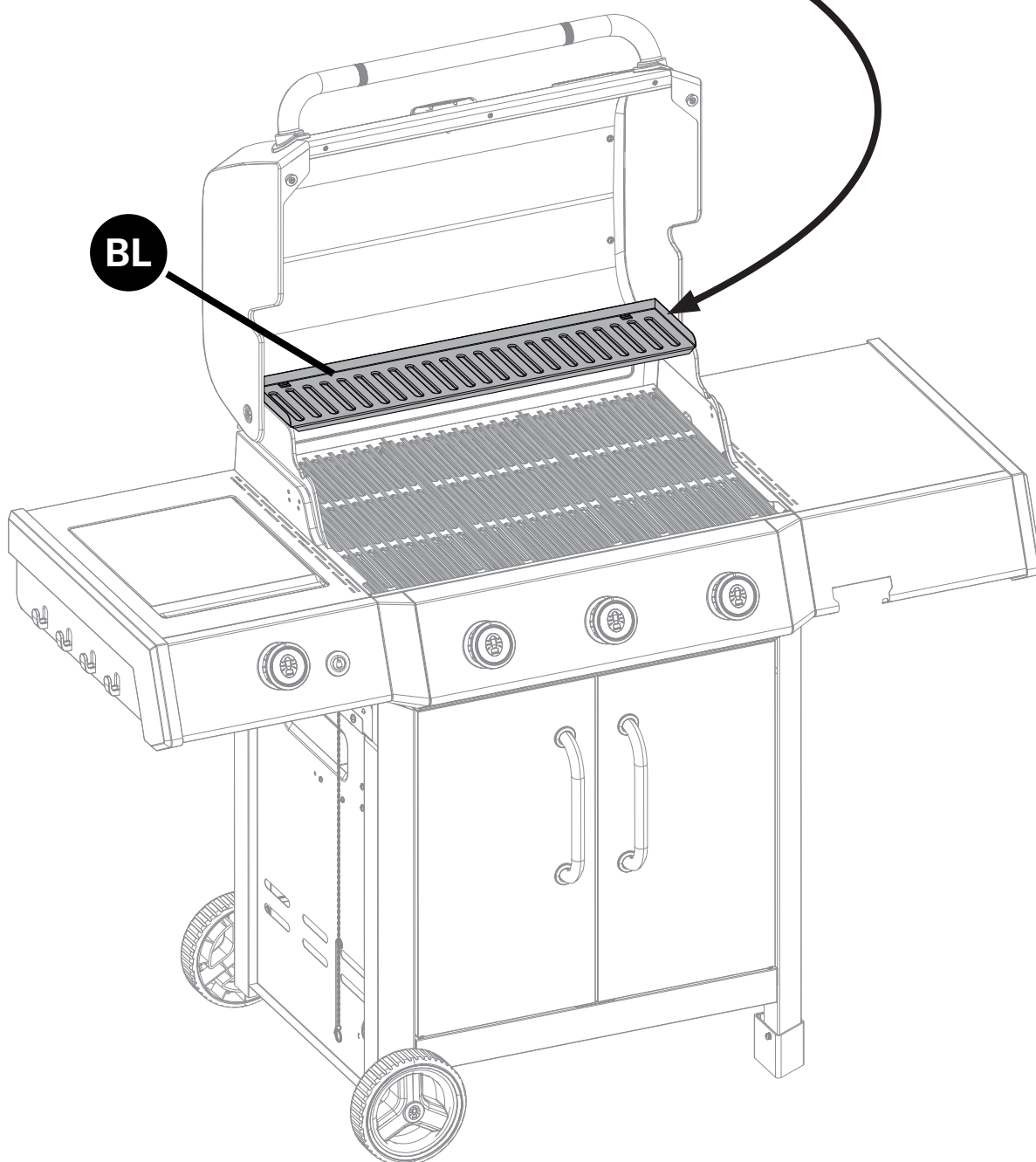
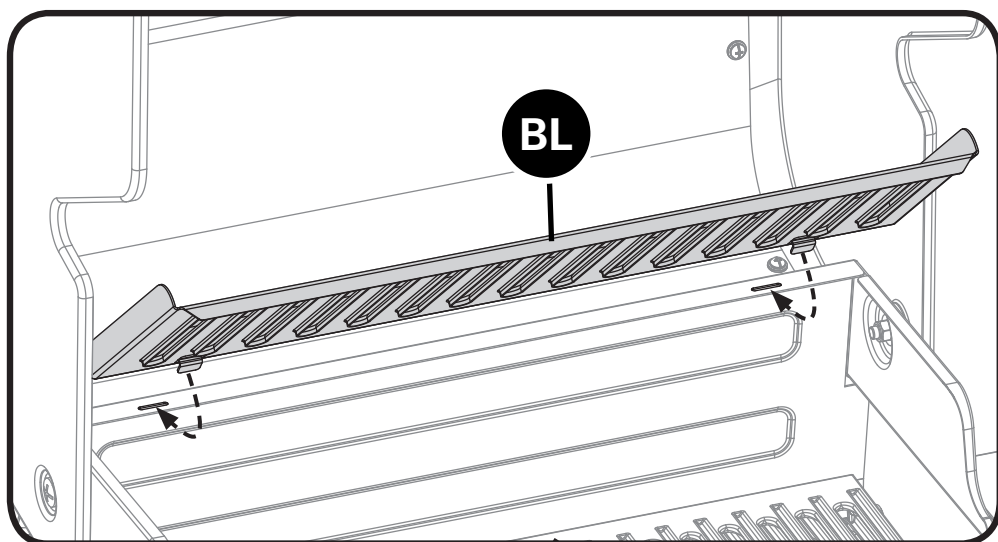
Upper Cooking Grate:
BJ- Porcelain Cast Iron Cooking Grate

Lower Cooking Grate:
BK - Stamped Steel Cooking Grate



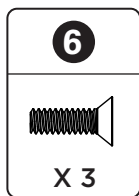
ASSEMBLY INSTRUCTIONS

19

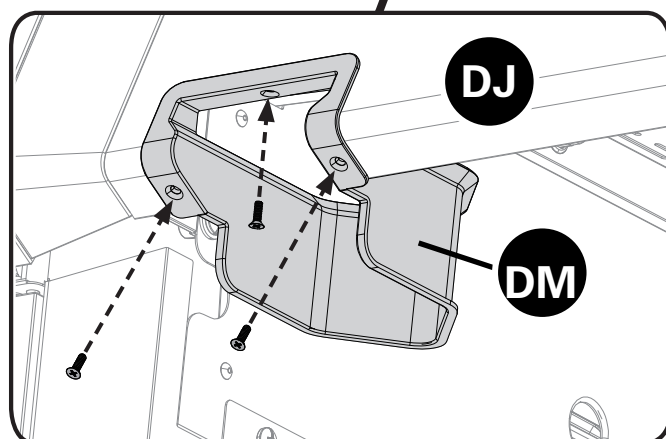
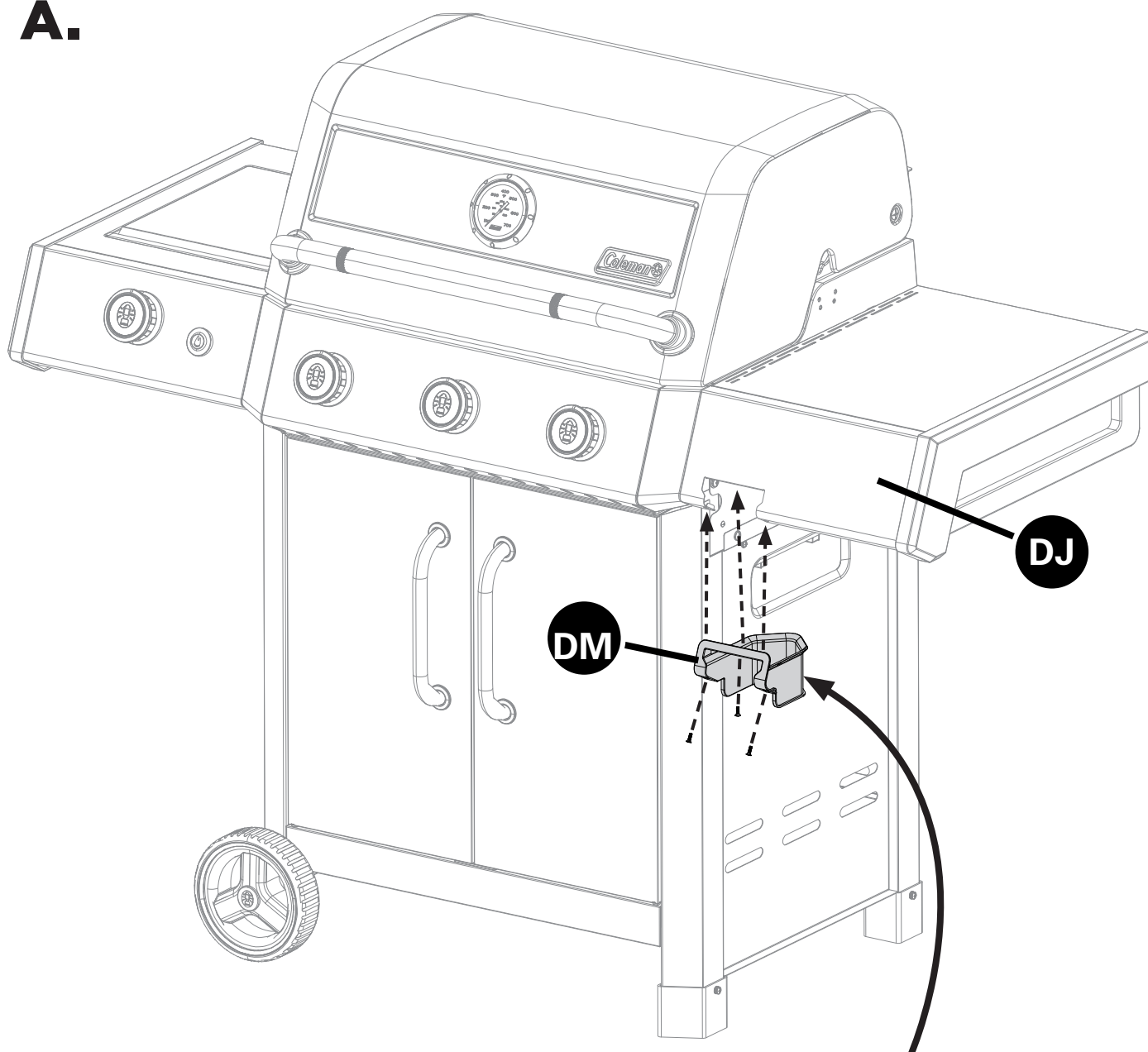


ASSEMBLY INSTRUCTIONS

20



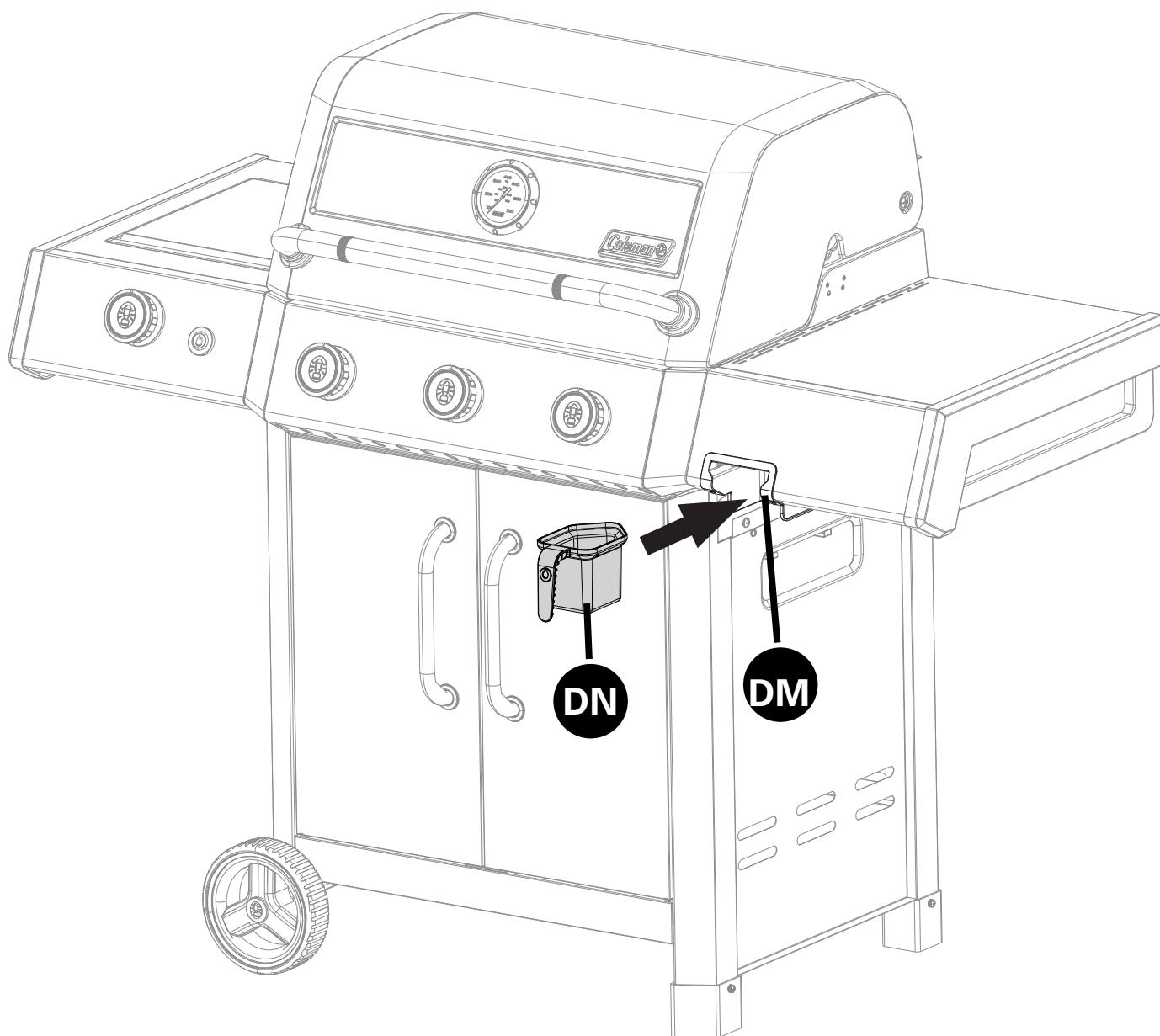
A.



ASSEMBLY INSTRUCTIONS

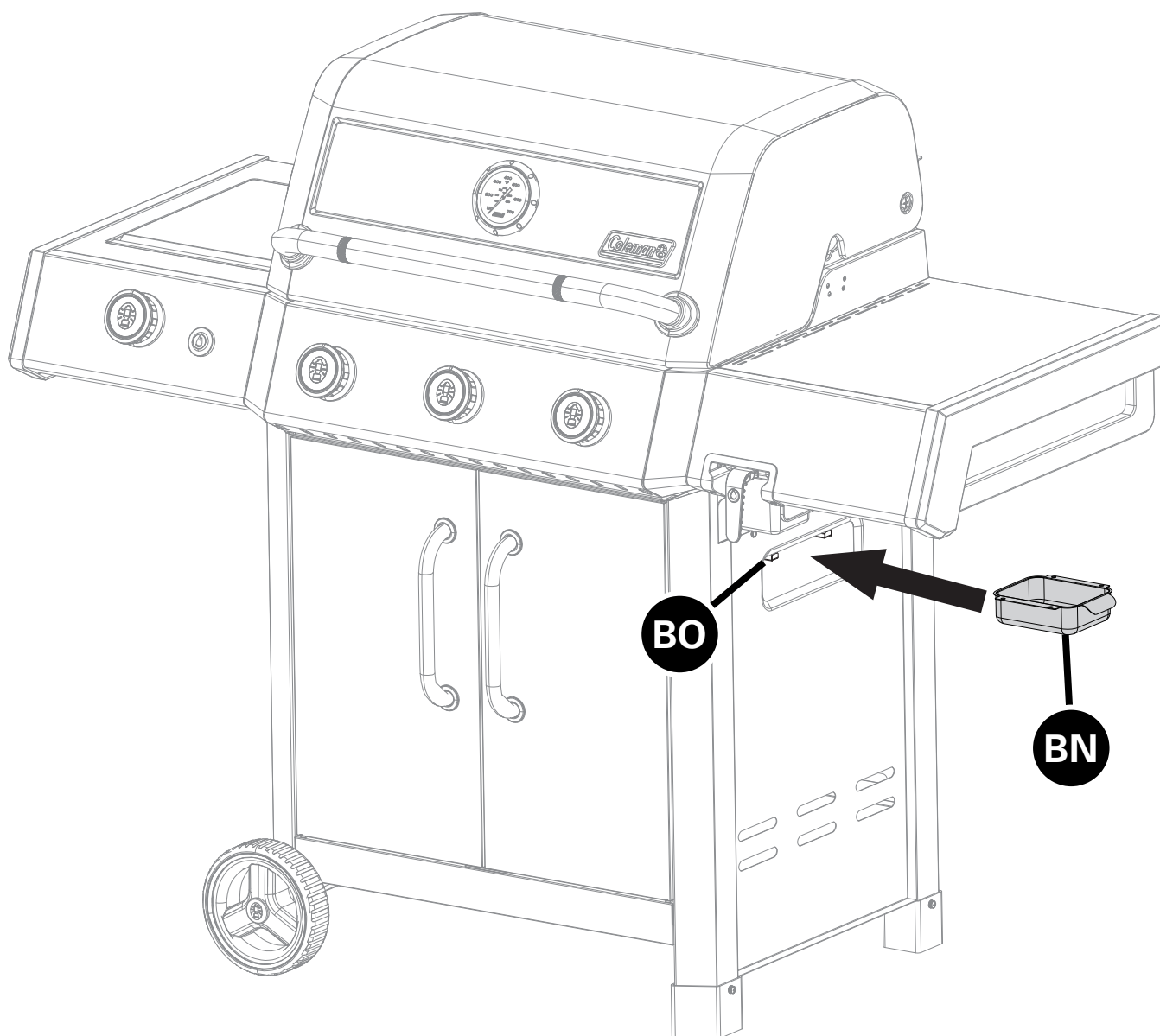
20

B.



ASSEMBLY INSTRUCTIONS

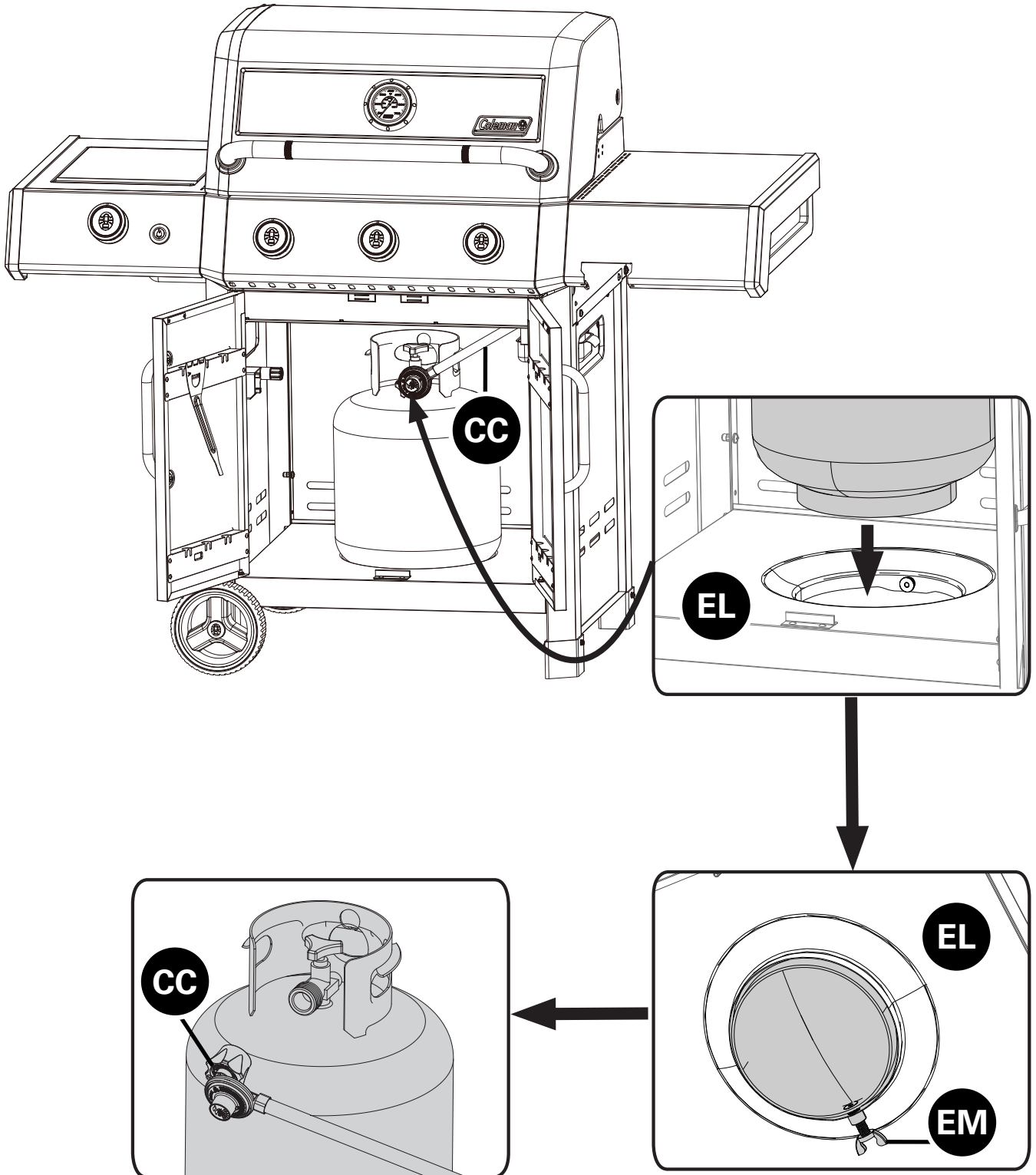
21



ASSEMBLY INSTRUCTIONS

22

**FOR PROPANE MODEL ONLY.
FOR NATURAL GAS MODEL, SEE NEXT PAGE.**



ASSEMBLY INSTRUCTIONS

23 HOW TO CONVERT YOUR BARBECUE TO NATURAL GAS

This barbecue was sold PROPANE READY, if you wish to run your barbecue on Natural Gas you must purchase the Natural Gas Conversion Kit sold at Canadian Tire, product #85-2261-4



IMPORTANT

Make sure the conversion kit packaging has the following symbol on it:



**CONVERTIBLE
VALVE SYSTEM™**

ADDITIONAL WARNINGS

You have now completed the assembly of your Coleman® barbecue.

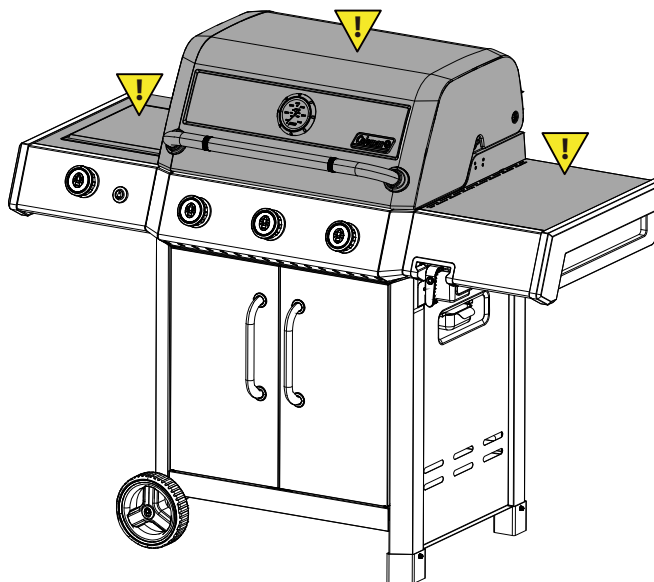
NEXT STEPS:

1. Position your Barbecue
2. Read Safe Use & Care Manual
3. Perform Barbecue Safety Check-list

WARNING:

▲ FOR YOUR FAMILIES SAFETY, DO NOT ATTEMPT TO LIGHT THIS BARBECUE UNTIL YOU HAVE REVIEWED PAGES 4-7 OF THE COLEMAN® SAFE USE & CARE MANUAL. ALL SAFETY AND LEAK TESTS MUST BE PERFORMED BY THE END USER, PRIOR TO LIGHTING THIS BARBECUE.

▲ WARNING HOT SURFACES:



POSITION YOUR BARBECUE

Always confirm that this barbecue is not positioned under a combustible object (e.g., an awning or umbrella) or in a covered area (e.g., porch or gazebo) before lighting it, to prevent a possible fire.

Always confirm that this barbecue is not positioned under the overhang of a house, a garage or other structure before lighting it. An overhang will serve to deflect flare-ups and radiate heat into the structure itself, which could result in a fire.

Always confirm that this barbecue is positioned more than 36" (91.4 cm) away from any combustible materials or surfaces before lighting it, and that no gasoline or other volatile substances are stored in the vicinity of this barbecue. The temperature of a grease fire or of the radiated heat might otherwise be sufficient to ignite nearby combustibles or volatile substances. Do not position near windows, siding, or fencing.

Always locate the barbecue where there will be ample combustion and ventilation air, but never position it in the direct path of a strong wind.

Level your barbecue for optimal performance of Flare-Free Technology™.

NOTE



REVOLUTION II™

©2025 THE COLEMAN COMPANY, INC.

COLEMAN® is a registered trademark of The Coleman Company, Inc., used under license.

www.colemanbbqs.com

 youtube.com/colemangrills